

MANUFACTURED IN AMERICA

# LAW ENFORCEMENT

PROFESSIONAL WARNING AND LIGHTING

A comprehensive guide to Whelen's lighting and warning products

WHELEN ENGINEERING COMPANY, INC.



# Table of Contents

- Lightbars.....6
- Dash & Deck.....19
- Lighthead.....22
- White Illumination.....35
- Controls, Flashers & Auditory Warning .....43
- Lighting Certification .....54
- Product Index.....55



**Visit us at whelen.com**  
To learn about our full line of emergency lighting and warning products.



To download WeCad™, Whelen Command®, and Pioneer™ Designer go to [whelen.com/software-downloads](http://whelen.com/software-downloads)

@WhelenENG



# About Whelen



Whelen Engineering designs and manufactures reliable and powerful warning lights, white illumination lighting, sirens, controllers, and high-powered warning systems for Automotive and Mass Notification industries worldwide. Whelen products have been proudly designed and manufactured in America since 1952. With quality as the foundation, Whelen celebrates innovative engineering with every product made.

**Manufactured in America for Over 70 Years**  
**We never left and we're here to stay.**

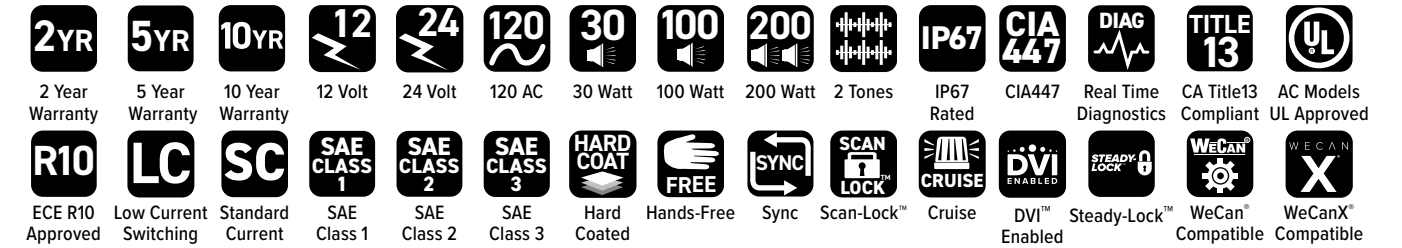


**Chester, Connecticut facility**



**Charlestown, New Hampshire facility**

# Icon Legend



# Tech Glossary

**BroadBand Blue™**  
BroadBand Blue delivers a higher intensity, creates a larger optical image, and produces a more consistent color, all while being easier on the eyes - especially at night.

**Conformal Coating**  
A thin material that conforms to the contours of the PCB to protect the electronic components from harsh environments and impact.

**DUO™**  
Two-color interleaved LEDs

**DUO+™**  
Two-color interleaved with independent control of color one and color two

**DVI™**  
DVI patterns gradually increase and decrease warning light intensity, which better conveys visual information to approaching motorists at night. These patterns clearly indicate when a vehicle is parked and improves a driver's ability to safely navigate around a work zone.

**DYAD™**  
Two-level technology

**Encapsulated**  
Lighthead are fully encapsulated for moisture and vibration resistance.

**Hard-Coat**  
Whelen's industry-first innovative Hard-Coating process counteracts the effects of environmental and chemical damages to our lenses and domes.

**Linear-LED® - (Super-LED®)**  
Whelen's optimized use of the latest generation of LEDs and unique reflector optics to produce highly intense light that has superior wide-angle visibility and rivals strobe in performance.

**Low Current**  
Low current function wires require less than 0.25 amp to operate, allowing for simple operation of each lightbar function.

**ProFocus™**  
Whelen's innovative single optic LED technology that can be customized and programmed as a spotlight or floodlight, with no moving parts.

**Proclera® Silicone Optics**  
Whelen's innovative and efficient solution to distorted optical shape and fringe lighting. Proclera Optics feature 100% internal silicone optic technology, an increased ability to harness LED output and better direct and focus light, and a fully-filled square TIR optic to increase optic efficiency compared to a conventional circular TIR.

**Rota-Beam™**  
Solid-state "rotating" technology, simulating the appearance of a rotating beacon without any moving parts or motors for long-life reliability.

**Scan-Lock™**  
Whelen's advanced method of changing a products flash pattern. Scan-Lock utilizes an external wire to allow the user to cycle through the entire range of flash patterns, allowing for full customization.

**Scan-Lock™+**  
The Scan-Lock+ app is the simplest way to change Whelen flash patterns. Designed for optimal convenience, Scan-Lock+ features an easy to use interface and utilizes a Bluetooth connection. Download the Scan-Lock+ app and browse, test, and assign Whelen flash patterns right from your phone.

**SOLO™**  
Single-color LEDs

**Split**  
Two-color lighthead where each color fills half of the reflector

**SmartLED®**  
Whelen's distinctive use of self-contained electronics to power and flash a particular LED product. These products require no external flasher, ballast, or power supply to operate.

**Standard Current**  
Lightbar functions are wired directly to the switching device and require switches that are matched to the current draw of the desired functions to be activated.

**Steady-Lock™**  
A time-saving feature that allows Whelen's most popular warning lighthead to be set to Steady automatically when used with a CenCom Core® system.

**Super-LED®**  
Whelen's innovative LED technology

**Sync**  
Sync provides the ability to connect multiple Whelen devices to flash together or in alternating patterns. Products with this capability allow the user to create coordinating flashing schemes.

**TIR™ - (Total Internal Reflection)**  
Whelen's optimized use of the latest generation of LEDs and unique reflector optics to produce highly intense light that can be directional in nature.

**TRIO™**  
Three-color interleaved with independent control of color one, color two, and color three

**WeCad™**  
Engineered for optimal accessibility, WeCad lightbar designer delivers the ability to design custom Whelen lightbars with every available option. Adding R65 compliant options is simple, and a bill of materials will be generated to make ordering fast and easy.

**WeCan®**  
Whelen's proprietary CAN-based communication system

**WeCanX®**  
Whelen's smartest and most powerful CAN-based communication system. WeCanX provides true system synchronization, greater speed capabilities, expanded peripheral add-ons, and full support of diagnostics.







# LIGHTBARS

## Freedom® IV DUO™ & DYAD™ Series

5YR 10YR >12 >24 TITLE 13 LC NFPA 1901 SAE CLASS 1 HARD COAT SCAN LOCK DVI WeCan X ISOLO DUO

 Download WeCad™ for models and options

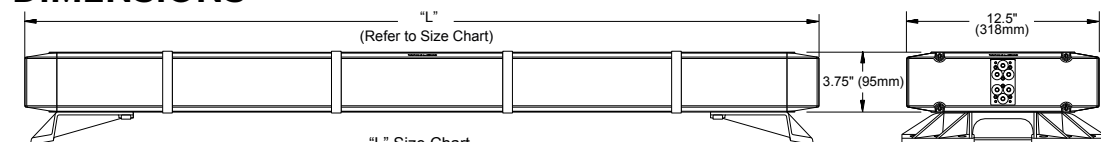


### FEATURES

- WeCanX® models available
- Extruded aluminum platform for long-life dependability
- Clear outer domes with Clear dividers
- Hard-coated lenses resist environmental damage from sand, sun, salt, and road chemicals
- 100% solid-state electronics
- 16' exit cable (25' exit cable for 72" length bars)
- Dynamic Variable Intensity™ (DVI™) light patterns
- Advanced Thermal Design reduces the stress on LEDs during extended dwell time
- WeCan® DYAD two-level technology (single or two-color) allows for individual control of each level of each lighthouse

- WeCan DUO technology (two-color) allows for individual control of each color and each lighthouse, while providing a large aspect ratio of warning and illumination
- Optional photocell automatically dims the lightbar at night and still meets SAE Class 1 requirements in low-power mode
- Available with Clear or Smoked lenses
- Linear Super-LED® optics
- WeCanX models have a 10-year warranty on I/O boards and lighthouses. WeCan and Low Current models have a 5-year warranty on I/O boards and a 10-year warranty on lighthouses.
- WeCanX Control Point purchased separately when not used with CenCom Core®

### DIMENSIONS



"L" Size Chart

44.5" (113cm)	49.25" (125cm)	55" (140cm)	60" (152cm)	72" (183cm)
------------------	-------------------	----------------	----------------	----------------


44.5"	49.25"	55"	60"	72"	Description
F4X4****	F4X8****	F4X2****	F4X0****	F4X7****	Freedom IV F4X Low Current Series Super-LED® Lightbars, Includes Four Corner Linear-LED Modules, 4 Red, Blue, Amber and/or White, Single-Color Modules
F4W4****	F4W8****	F4W2****	F4W0****	F4W7****	Freedom IV F4W WeCan Series Super-LED Lightbar, Includes Four Corner Linear-LED Modules with Independent Control of Each Level of Each Lighthouse. Photocell Included. 4, Red, Blue, Amber and/or White, Single or Two-Color Over/Under Modules
K4W4****	K4W8****	K4W2****	K4W0****	K4W7****	Freedom IV K4W WeCanX Series Super-LED Lightbar, Includes Four Corner Linear-LED Modules with Independent Control of Each Level of Each Lighthouse. Photocell Included. 4, Red, Blue, Amber and/or White, Single or Two-Color Over/Under Modules
K424####	K428####	K422####	K420####	K427####	Freedom IV K42 DUO WeCanX Series Super-LED Lightbars with Four Corner Linear-LED Modules with Independent Control of Each Level of Each Lighthouse. Photocell Included. 4, Red, Blue, Amber and/or White, Single or Two-Color Over/Under Modules
F424####	F428####	F422####	F420####	F427####	4 Blue/White or Red/White DUO Modules

Consult current price list for full list of available options at [whelen.com/literature](http://whelen.com/literature)

Replace \* symbol in model number with letter indicating color desired: A=Amber, B=Blue, R=Red, C=White

Replace # in model number with interleaved color desired: D=Red/White, E=Blue/White, F=Amber/White, J=Red/Blue, K=Red/Amber, M=Blue/Amber



 WARNING: This product may contain chemicals known to the State of California to cause cancer and birth defects or other reproductive harm. For more information, visit [whelen.com/regulatory](http://whelen.com/regulatory).



# Liberty™ II Series

5YR 10YR 12 SC LC SAE CLASS 1 TITLE 13 HARD COAT CRUISE WeCan X SOLO DUO+ TRIO PROCLERA ProFocus.

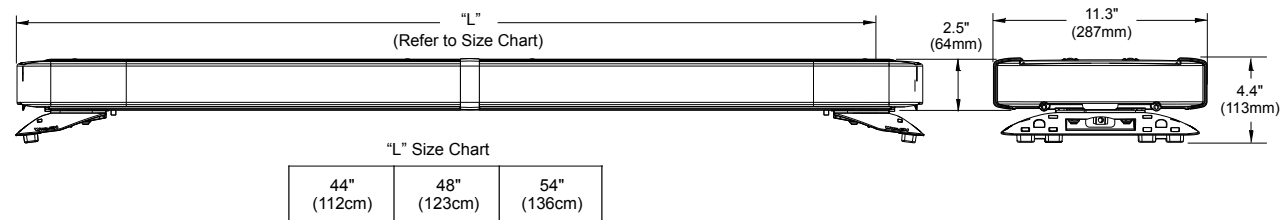
 Download WeCad™ for models and options



## FEATURES

- Advanced Thermal Design improves LED performance during extended operation
- TRIO™ three-colored Linear Super-LED® models are available in six pre-configured lighting packages
- Aluminum top repels hail and other environmental damages
- Extruded aluminum platform
- Center dividers with liquid injection molded seals protect internal components from water intrusion
- One piece uni-dome construction with a single sealing point assures lightbar integrity in all weather conditions
- Proclera® Silicone Optics (available in take-down lights)
- Plug & Play into Whelen WeCan® products
- Hard-coated lenses resist environmental damage from sand, sun, salt, and road chemicals
- Available with Clear, Smoked, or Color lenses
- Available with standard or low-profile mounting feet
- Optional photocell automatically dims the lightbar at night and still meets SAE Class 1 requirements in low-power mode
- WeCanX® models have a 10-year warranty on I/O boards and lighthoods. WeCan and Low Current models have a 5-year warranty on I/O boards and a 10-year warranty on lighthoods.
- WeCanX Control Point purchased separately when not used with CenCom Core®

## DIMENSIONS



44"	48"	54"	Description
BW4****	BW8****	BW2****	Liberty II™, SOLO™ BW & BH WeCanX® Series, Four Single Corner Modules, with Independent Control of each Lighthouse. Photocell Included, for use with Single-Color Inboard Lighthouse Options Only, Except for a DUO+™ Rear Traffic Advisor™, Single-Color, Red, Blue, Amber or White
-	BH8****	BH2****	Liberty II, SOLO BW & BH WeCanX Series, Four Single Corner Modules, with Independent Control of each Lighthouse. Photocell Included, for use with Single-Color Inboard Lighthouse Options Only, Except for a DUO+ Rear Traffic Advisor, Single-Color, Red, Blue, Amber or White with Center Section for 795H, Strobe or Center LED Warning
IB4****	IB8****	IB2****	Liberty II DUO+ IB WeCan Series, Single-Color, Red, Blue, Amber or White
IB4####	IB8####	IB2####	Liberty II DUO+ IB WeCan Series, DUO+ color, Red, Blue, Amber or White
B341	B381	B321	Liberty II TRIO™ WeCanX Series Super-LED® Lightbars, TRIO1, Red/Blue with White Illumination
B342	B382	B322	Liberty II TRIO WeCanX Series Super-LED Lightbars, TRIO2, Red/Blue with White Illumination Front and Rear Corners, Red/ Amber/White Driver Rear Inboard and Blue/Amber/White Passenger Inboard
B343	B383	B323	Liberty II TRIO WeCanX Series Super-LED Lightbars, TRIO3, Red/Blue with Green Command Corners and White Illumination Front and Rear Inboards
B344	B384	B324	Liberty II TRIO WeCanX Series Super-LED Lightbars, TRIO4, Red/Blue with Green Command Corners and White Illumination Front Inboards and Red/Amber/White Driver Rear Inboard and Blue/Amber/ White Passenger Inboard
B345	B385	B325	Liberty II TRIO WeCanX Series Super-LED Lightbars, TRIO5, Red/Blue with White Illumination to the Front and Rear Corners and Red/Blue/Amber Rear Inboards
B346	B386	B326	Liberty II TRIO WeCanX Series Super-LED Lightbars, TRIO6, Red/Blue with Green Command Corners and White Illumination Front Inboards and Red/Blue/Amber Rear Inboards
I341	I381	I321	Liberty II TRIO WeCan Series Super-LED Lightbars, TRIO1, Red/Blue with White Illumination
I342	I382	I322	Liberty II TRIO WeCan Series Super-LED Lightbars, TRIO2, Red/Blue with White Illumination Front and Rear Corners, Red/ Amber/White Driver Rear Inboard and Blue/Amber/White Passenger Inboard
I343	I383	I323	Liberty II TRIO WeCan Series Super-LED Lightbars, TRIO3, Red/Blue with Green Command Corners and White Illumination Front and Rear Inboards
I344	I384	I324	Liberty II TRIO WeCan Series Super-LED Lightbars, TRIO4, Red/Blue with Green Command Corners and White Illumination Front Inboards and Red/Amber/White Driver Rear Inboard and Blue/Amber/ White Passenger Inboard
I345	I385	I325	Liberty II TRIO WeCan Series Super-LED Lightbars, TRIO5, Red/Blue with White Illumination to the Front and Rear Corners and Red/Blue/Amber Rear Inboards
I346	I386	I326	Liberty II TRIO WeCan Series Super-LED Lightbars, TRIO6, Red/Blue with Green Command Corners and White Illumination Front Inboards and Red/Blue/Amber Rear Inboards

Consult current price list for full list of available options at [whelen.com/literature](http://whelen.com/literature)

Replace \* symbol in model number with letter indicating color desired: A=Amber, B=Blue, R=Red, C=White

Replace # in model number with interleaved color desired: D=Red/White, E=Blue/White, F=Amber/White, J=Red/Blue, K=Red/Amber, M=Blue/Amber



44"	48"	54"	Description
BB4****	BB8****	BB2****	Liberty™ II, DUO+™ BB & BJ WeCanX® Series, Four High-Intensity Corner Modules, with Independent Color Control of each Lighthouse. Photocell included, Single-Color, Red, Blue, Amber or White with Center Section for 795H, Strobe or Center LED Warning
-	BJ8****	BJ2****	Liberty II, DUO+ BB & BJ WeCanX Series, Four High-Intensity Corner Modules, with Independent Color Control of each Lighthouse. Photocell Included, Single-Color, Red, Blue, Amber or White with Center Section for 795H, Strobe or Center LED Warning
-	BJ8####	BJ2####	Liberty II, DUO+ BB & BJ WeCanX Series, Four High-Intensity Corner Modules, with Independent Color Control of each Lighthouse. Photocell Included, Duo+ Color, Red, Blue, Amber And/or White, With Center Section For 795H, Strobe or Center LED Warning
BB4####	BB8####	BB2####	Liberty II, DUO+ BB & BJ WeCanX Series, Four High-Intensity Corner Modules, with Independent Color Control of each Lighthouse. Photocell Included, Duo+ Color, Red, Blue, Amber And/or White, With Center Section For 795H, Strobe or Center LED Warning
IX4****	IX8****	IX2****	Liberty II, SOLO™ IX Low Current Series, Four Single Color Corner Modules. For use with Single-Color Inboard Lighthouse Options Only. Single-Color, Red, Blue, Amber or White
IW4****	IW8****	IW2****	Liberty II, SOLO IW WeCan® Series, Four Single Corner Modules, with Independent Control of each Lighthouse. Photocell Included, for use with Single-Color Inboard Lighthouse Options Only, Except for a DUO+ Rear Traffic Advisor™, Single-Color, Red, Blue, Amber or White







# Legacy® Series

5YR 10YR 12 CJA 447 DIAG NEPA 1901 SAE CLASS 1 HARD COAT CRUISE WeCan X ISOLO DUO DUO+ TRIO

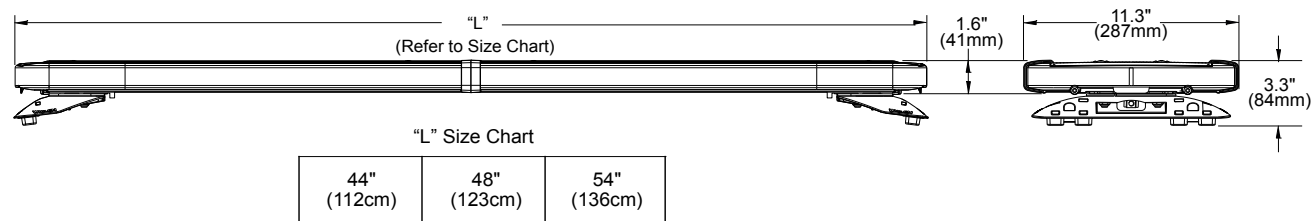
 Download WeCad™ for models and options



## FEATURES

- WeCanX® models available
- Advanced Thermal Design improves LED performance during extended operation
- TRIO™ three-colored Linear Super-LED® models are available in six pre-configured lighting packages
- Aluminum top repels hail and other environmental damages
- Center dividers with liquid injection molded seals protect internal components from water intrusion
- One piece uni-dome construction with a single sealing point assures lightbar integrity in all weather conditions
- Proclera® Silicone Optics (available in take-down lights)
- Hard-coated lenses resist environmental damage from sand, sun, salt, and road chemicals
- Plug & Play into Whelen WeCan® products
- Available with Clear or Smoked lenses
- Extruded aluminum platform
- WeCanX models have a 10-year warranty on I/O boards and lighthead. WeCan and Low Current models have a 5-year warranty on I/O boards and a 10-year warranty on lighthead.
- WeCanX Control Point purchased separately when not used with CenCom Core®

## DIMENSIONS



44"	48"	54"	Description
GS4****	GS8****	GS2****	Legacy® SOLO™ GS WeCan® Series Lightbars, Single-Color, Red, Blue, Amber and/or White
GB4****	GB8****	GB2****	Legacy GB WeCan DUO+™ Color Series Super-LED®, Includes Four Extra High-Intensity Corner Linear-LED® Models with Independent Control of the Two Colors of Each Lighthead, Single-Color, Red, Blue, Amber and/or White
GB4####	GB8####	GB2####	Legacy GB WeCan DUO+ Color Series Super-LED, Includes Four Extra High-Intensity Corner Linear-LED Modules with Independent Control of the Two Colors of Each Lighthead, Two-Color, Red, Blue, Amber and/or White
ES4****	ES8****	EB4****	Legacy SOLO™ ES WeCanX® Series Lightbars, Single-Color, Red, Blue, Amber and/or White
EB4****	EB8****	EB2****	Legacy EB WeCanX DUO+ Color Series Super-LED, Includes Four Extra High-Intensity Corner Linear-LED® Modules with Independent Control of the Two Colors of Each Lighthead. Single-Color, Red, Blue, Amber and/or White
EB4####	EB8####	EB2####	Legacy EB WeCanX DUO+ Color Series Super-LED, Includes Four Extra High-Intensity Corner Linear-LED Modules with Independent Control of the Two Colors of Each Lighthead. Two-Color, Red, Blue, Amber and/or White
E341	E381	E321	Legacy WeCanX TRIO™ Series Super-LED Lightbars, TRIO1, Red/Blue with White Illumination
E342	E382	E322	Legacy WeCanX TRIO Series Super-LED Lightbars, TRIO2, Red/Blue with White Illumination Front and Rear Corners, Red/Amber/White Driver Rear Inboard and Blue/Amber/White Passenger Inboard
E343	E383	E323	Legacy WeCanX TRIO Series Super-LED Lightbars, TRIO3, Red/Blue with Green Command Corners and White Illumination Front and Rear Inboards
E344	E384	E324	Legacy WeCanX TRIO Series Super-LED Lightbars, TRIO4, Red/Blue with Green Command Corners and White Illumination Front Inboards and Red/Amber/White Driver Rear Inboard and Blue/Amber/ White Passenger Inboard
E345	E385	E325	Legacy WeCanX TRIO Series Super-LED Lightbars, TRIO5, Red/Blue with White Illumination to the Front and Rear Corners and Red/Blue/Amber Rear Inboards
E346	E386	E326	Legacy WeCanX TRIO Series Super-LED Lightbars, TRIO6, Red/Blue with Green Command Corners and White Illumination Front Inboards and Red/Blue/Amber Rear Inboards
G341	G381	G321	Legacy WeCan TRIO Series Super-LED Lightbars, TRIO1, Red/Blue with White Illumination
G342	G382	G322	Legacy WeCan TRIO Series Super-LED Lightbars, TRIO2, Red/Blue with White Illumination Front and Rear Corners, Red/Amber/White Driver Rear Inboard and Blue/Amber/White Passenger Inboard
G343	G383	G323	Legacy WeCan TRIO Series Super-LED Lightbars, TRIO3, Red/Blue with Green Command Corners and White Illumination Front and Rear Inboards
G344	G384	G324	Legacy WeCan TRIO Series Super-LED Lightbars, TRIO4, Red/Blue with Green Command Corners and White Illumination Front Inboards and Red/Amber/White Driver Rear Inboard and Blue/Amber/ White Passenger Inboard
G345	G385	G325	Legacy WeCan TRIO Series Super-LED Lightbars, TRIO5, Red/Blue with White Illumination to the Front and Rear Corners and Red/Blue/Amber Rear Inboards
G346	G386	G326	Legacy WeCan TRIO Series Super-LED Lightbars, TRIO6, Red/Blue with Green Command Corners and White Illumination Front Inboards and Red/Blue/Amber Rear Inboards

Consult current price list for full list of available options at [whelen.com/literature](http://whelen.com/literature)

Replace \* symbol in model number with letter indicating color desired: A=Amber, B=Blue, R=Red, C=White  
 Replace # in model number with interleaved color desired: D=Red/White, E=Blue/White, F=Amber/White, J=Red/Blue, K=Red/Amber, M=Blue/Amber





# Edge<sup>®</sup> 9X Series



 Download WeCad™ for models and options



## FEATURES

- SAE Class 1 Certified
- Powered by WeCanX<sup>®</sup> technology
- Available in two profiles
  - Short Profile: 1.86" H
  - Tall Profile: 2.71" H
- DUO™ Linear12™ LED and DUO Linear6™ LED Warning & Scene Take-Down/Alley
- Hard-coated lenses resist environmental damage from sand, sun, salt, and road chemicals
- Photocell included
- Passenger side cable exit
- Advanced Thermal Design improves LED performance during extended operation
- Molded polycarbonate Black tops provide protection from the elements
- 12/24 VDC
- Standard mounting feet
- 5-year warranty on lighthoods and a 10-year warranty on I/O boards

Models	Length	Description
<b>EDGE 9SX Series</b>		
9SX5####	25"	4 Two-Color Red, Blue, Amber and/or White
9SX3####	31"	4 Two-Color Red, Blue, Amber and/or White
9SX6####	36"	4 Two-Color Red, Blue, Amber and/or White
9SX4####	43"	4 Two-Color Red, Blue, Amber and/or White
9SX8####	48"	4 Two-Color Red, Blue, Amber and/or White
9SX2####	54"	4 Two-Color Red, Blue, Amber and/or White
9SX0####	59"	4 Two-Color Red, Blue, Amber and/or White
<b>EDGE 9TX Series</b>		
9TX5####	25"	4 Two-Color Red, Blue, Amber and/or White
9TX3####	31"	4 Two-Color Red, Blue, Amber and/or White
9TX6####	36"	4 Two-Color Red, Blue, Amber and/or White
9TX4####	43"	4 Two-Color Red, Blue, Amber and/or White
9TX8####	48"	4 Two-Color Red, Blue, Amber and/or White
9TX2####	54"	4 Two-Color Red, Blue, Amber and/or White
9TX0####	59"	4 Two-Color Red, Blue, Amber and/or White

WeCanX Control Point purchased separately when not used with CenCom Core<sup>®</sup>  
 Replace # in model number with interleaved color desired: D=Red/White, E=Blue/White, F=Amber/White, J=Red/Blue, K=Red/Amber, M=Blue/Amber



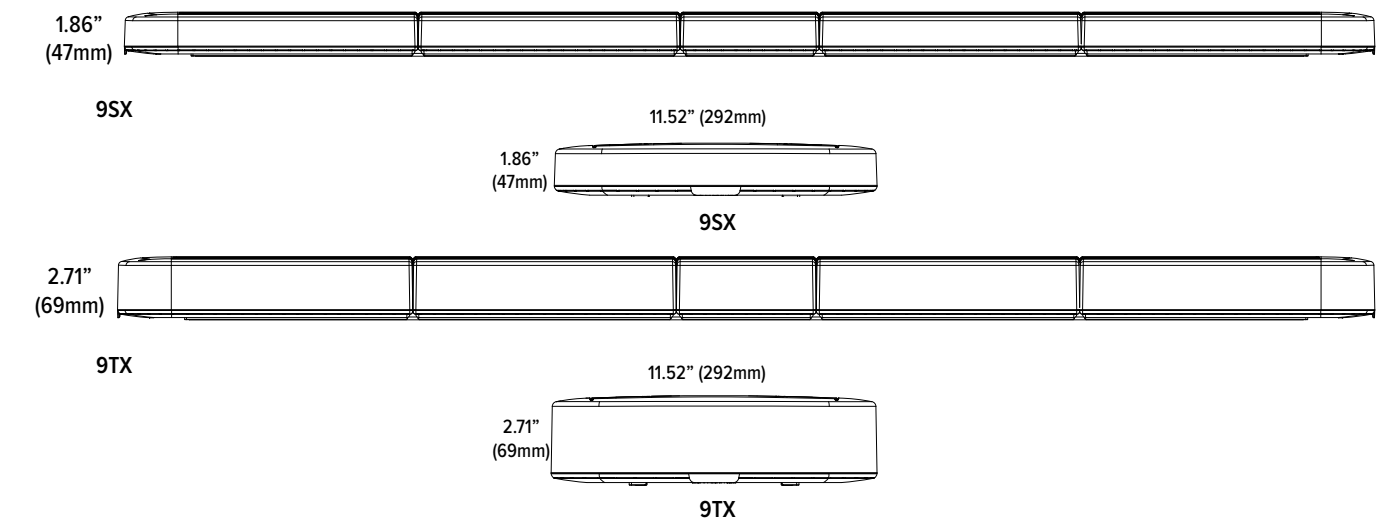
## OPTIONS

Models	Description
9SXDL#	One DUO™ Color Long Super-LED <sup>®</sup> Lighthood, Red, Blue, Amber and/or White
9SXDL***	One Long Super-LED Lighthood, Split-Color Primary Warning with Full-Color Secondary Warning for Center Mount on 31", 43" and 54" Lightbars Only
9SXTW*	One DUO Color Super-LED Take-Down or Alley Light, Amber/White, Blue/White, White/White or Red/White
9SXT	Super-LED Take-Down or Alley Lights, White, Pair
9TXDL#	One DUO Color Long Super-LED Lighthood, Red, Blue, Amber and/or White
9TXDL***	One Long Super-LED Lighthood, Split-Color Primary Warning with Full-Color Secondary Warning for Center Mount on 31", 43" and 54" Lightbars Only
9TWTW*	One DUO Color Super-LED Take-Down or Alley Light, Amber/White, Blue/White, White/White or Red/White
9TWT	Super-LED Take-Down or Alley Lights, White, Pair
9SXDCBL	Driver Side Cable Exit
CCP	Core™ Control Point for use with WeCanX <sup>®</sup> Devices when NOT using CenCom Core <sup>®</sup>

Consult current price list for full list of available options at [whelen.com/literature](http://whelen.com/literature)  
 Replace \* symbol in model number with letter indicating color desired: A=Amber, B=Blue, R=Red, C=White  
 Replace # in model number with interleaved color desired: D=Red/White, E=Blue/White, F=Amber/White, J=Red/Blue, K=Red/Amber, M=Blue/Amber



## DIMENSIONS



"L" Size Chart

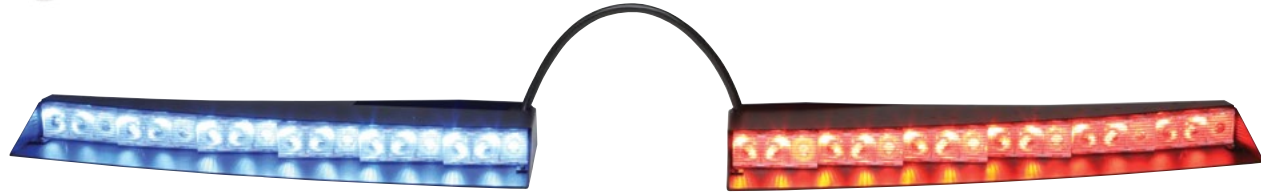
25" (63.5cm)	31" (79cm)	36" (91cm)	43" (112cm)	48" (122cm)	54" (137cm)	59" (152cm)
-----------------	---------------	---------------	----------------	----------------	----------------	----------------



# Inner Edge® FST™ Series

5YR 10YR  $\leq 12$  LC WeCan X SCAN LOCK CRUISE SAE CLASS 1 TITLE 13 ISOLO DUO TRIO PROCLERA

 Download WeCad™ for models and options



## FEATURES

- WeCanX® models available
- SAE Class 1 Certified
- Upper front units mounts to visor anchor points
- Low Current models are available with SOLO™ light modules
- Now available with BroadBand Blue™
- Available as passenger side only or driver/passenger combo
- 38 Scan-Lock™ flash patterns
- Vehicle-specific housing minimizes flashback to vehicle passengers
- Increase clarity with Proclera® Silicone Optics
- 17' cable included
- Refer to website for full list of models
- WeCanX models have a 10-year warranty on I/O boards and lightheads. WeCan and Low Current models have a 5-year warranty on I/O boards and a 10-year warranty on lightheads.



# Inner Edge® RST™ Series

5YR 10YR  $\leq 12$  LC WeCan X SCAN LOCK CRUISE SAE CLASS 1 TITLE 13 ISOLO DUO TRIO PROCLERA

 Download WeCad™ for models and options



## FEATURES

- WeCanX models available
- SAE Class 1 Certified
- Mounts to the rear headliner of SUVs and pickup trucks
- Drop-in lighthead tray is universal, allowing for easy serviceability
- Lighthead tray can be repurposed to a different vehicle by obtaining an alternate housing and mounting kit
- 70 Scan-Lock flash patterns
- Low Current models are available with SOLO light modules
- Refer to website for full list of models
- WeCanX models have a 10-year warranty on I/O boards and lightheads. WeCan and Low Current models have a 5-year warranty on I/O boards and a 10-year warranty on lightheads.



# Inner Edge® XLP Series

5YR 10YR  $\leq 12$  LC WeCan X SCAN LOCK CRUISE SAE CLASS 1 TITLE 13 ISOLO DUO

 Download WeCad™ for models and options



## FEATURES

- WeCanX® models available
- SAE Class 1 Certified
- Upper front units mounts to visor anchor points
- Low Current models are available with SOLO™ light modules
- Now available with BroadBand Blue™
- Available as passenger side only or driver/passenger combo
- 38 Scan-Lock™ flash patterns
- Vehicle-specific housing minimizes flashback to vehicle passengers
- 19' cable included
- Refer to website for full list of models
- WeCanX models have a 10-year warranty on I/O boards and lightheads. WeCan and Low Current models have a 5-year warranty on I/O boards and a 10-year warranty on lightheads.



# Outer Edge® Series

5YR 10YR  $\leq 12$  NFPA 1901 LC SAE CLASS 1 HARD COAT SCAN LOCK WeCan X ISOLO DUO TRIO PROCLERA

 Download WeCad™ for models and options



## FEATURES

- SAE Class 1 Certified
- Lightheads are fully encapsulated for moisture, vibration and corrosion resistance
- Hard-coated lenses resist environmental damage from sand, sun, salt, and road chemicals
- WeCanX® compatible models require CenCom Core® or CEM16, purchased separately
- WeCanX models have a 10-year warranty on I/O boards and lightheads. WeCan and Low Current models have a 5-year warranty on I/O boards and a 10-year warranty on lightheads.

## REAR FACING

- Two independent Black powder-coated housings mount easily to the rear spoiler
- Each housing supports three ION™ lightheads in SOLO™, DUO™, or TRIO™ colors
- Low Current models are available with SOLO lightheads and feature Traffic Advisor™ patterns



## REAR PILLAR

- Vehicle specific vacuum-formed ABS housings conform to vehicle back pillars
- Vacuum-formed housings provide easy serviceability and conform to vehicle back pillars
- Housings mount with included 3M® VHB tape
- Refer to website for full list of models



# WeCanX<sup>®</sup> 2250



Download WeCad™ for models and options



## FEATURES

- Utilizes powerful ION™ T-Series™ lightheads with patented E Block™ technology
- IP67 rated
- 3" slimmer than 4500 series
- Flush mount (slide bolt)
- Powered by WeCanX technology
- Hard-coated lenses resist environmental damage from sand, sun, salt, and road chemicals
- Dynamic Variable Intensity™ (DVI™) light patterns

- Functionality configurable in Whelen Command®
- Lighthead configurations easily defined within Whelen's WeCad™ Software
- DUO™ support in warning light options
- Aerial recognition option
- Choose between two angled end caps or two flat end caps
- 5-year warranty on I/O boards and a 10-year warranty on lightheads.

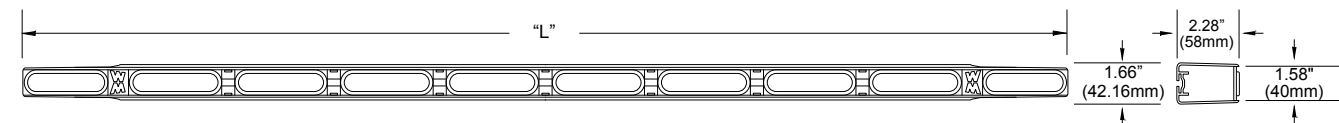
Models	Length	Description
<b>WeCanX 2250 Super-LED® with Angled End Caps, Ordered Separately</b>		
WX2230	30"	6 Lightheads and 2 Angled End Caps Required
WX2240	40"	8 Lightheads and 2 Angled End Caps Required
WX2250	50"	10 Lightheads and 2 Angled End Caps Required
WX2260	60"	12 Lightheads and 2 Angled End Caps Required
WX2270	70"	14 Lightheads and 2 Angled End Caps Required
WX2280	80"	16 Lightheads and 2 Angled End Caps Required
<b>WeCanX 2250 Super-LED with Flat End Caps, Ordered Separately</b>		
WX2220F	22"	4 Total Lightheads and 2 Flat End Caps Required
WX2230F	32"	6 Total Lightheads and 2 Flat End Caps Required
WX2240F	42"	8 Total Lightheads and 2 Flat End Caps Required
WX2250F	52"	10 Total Lightheads and 2 Flat End Caps Required
WX2260F	62"	12 Total Lightheads and 2 Flat End Caps Required
WX2270F	72"	14 Total Lightheads and 2 Flat End Caps Required
WX2280F	82"	16 Total Lightheads and 2 Flat End Caps Required

Options	Description
22L#	Add One DUO Color Lighthead, Red/White, Blue/White, Amber/White, Red/Blue, Blue/Amber or Red/Amber
22AEC	One Angled End Cap, No Charge When Purchased with a 2250 Series
CCP	Core™ Control Point for Use with WeCanX Device When NOT Using CenCom Core®
22RECA	One Angled Right End Cap for Use with One Aerial Recognition Light, for Bars 30" to 50"
22LECA	One Angled Left End Cap for Use with One Aerial Recognition Light, for Bars 30" to 50"
22RECA2	One Angled Right End Cap for Use with One Aerial Recognition Light, for Bars 60" to 80"
22LECA2	One Angled Left End Cap for Use with One Aerial Recognition Light, for Bars 60" to 80"
22ARL*	Add One Aerial Recognition Light, Amber, Blue, White or Red (22LECA(2))
22LOAD	Add One Load Light
22BLANK	Blank Filler Panel, Not Available for Angled End Caps
22EC	One Flat End Cap for Left or Right Side

Consult current price list for full list of available options at [whelen.com/literature](http://whelen.com/literature).  
 Replace \* symbol in model number with letter indicating color desired:  
 A=Amber, B=Blue, R=Red, C=White  
 Replace # in model number with interleaved color desired: D=Red/White, E=Blue/White, F=Amber/White, J=Red/Blue, K=Red/Amber, M=Blue/Amber



## DIMENSIONS



"L" Size Chart

22"	30"	40"	50"	60"	70"	80"
(56cm)	(76cm)	(101cm)	(127cm)	(152.4cm)	(178cm)	(203cm)

# Tracer™ WeCanX<sup>®</sup>



Download WeCad™ for models and options



## FEATURES

- Vehicle-to-Vehicle Synchronization
- Available in SOLO™ (single-color), DUO™ (two-color interleaved), or TRIO™ (three-color interleaved) modules
- Whelen Command® programming allows:
  - DUO and TRIO modules to operate with a steady override, such as white steady-burn
  - Full configurability of Traffic Advisor™ functionality
  - Adjustable intensity levels of cruise light control

- Dynamic Variable Intensity™ (DVI™) light patterns
- Mounts easily via slide bolt with vehicle-specific brackets, universal "L" brackets, or under lightbar brackets
- SAE Class 1 certified
- Hard-coated lenses resist environmental damage from sand, sun, salt, and road chemicals
- 10-year warranty

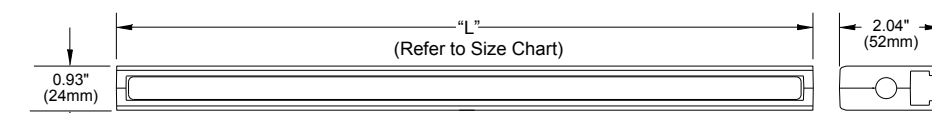
Models	Description
TCRWX1	1-Lamp Housing and TCRL* SOLO Lighthead. "L" Bracket Mounting (2 Required) Purchased Separately
TCRWX2	2-Lamp Housing and TCRL* SOLO Lightheads. "L" Bracket Mounting (3 Required) Purchased Separately
TCRWX3	3-Lamp Housing and TCRL* SOLO Lightheads. "L" Bracket Mounting (4 Required) Purchased Separately
TCRWX4	4-Lamp Housing and TCRL* SOLO Lightheads. "L" Bracket Mounting (5 Required) Purchased Separately
TCRWX5	5-Lamp Housing and TCRL* SOLO Lightheads. "L" Bracket Mounting (6 Required) or Vehicle-Specific Mounting Purchased Separately
TCRWX6	6-Lamp Housing and TCRL* SOLO Lightheads. "L" Bracket Mounting (7 Required) or Vehicle-Specific Mounting Purchased Separately
TCRWXP*	Primary SOLO Lighthead Includes Lamp Driver, One Required in Position 1, for Each SOLO Tracer, Red, Blue, Amber or White. No Charge When Ordered with the Appropriate Housing
TCRWXS*	Secondary SOLO Lighthead, Red, Blue, Amber, or White. For Use in Positions 2-6. No Charge When Ordered with the Appropriate Housing
TCRWXP#	Primary DUO Lighthead Includes Lamp Driver, One Required in Position 1, for Each DUO Tracer, Blue/White, Blue/Amber, Red/Blue, Red/White, Red/Amber or Amber/White
TCRWXS#	Secondary DUO Lighthead, Blue/White, Blue/Amber, Red/Blue, Red/White, Red/Amber or Amber/White. For Use in Positions 2-6
TCRWXPJC	Primary TRIO Lighthead Includes Lamp Driver, One Required in Position 1, for Each TRIO Tracer, Red/Blue/White
TCRWXSJC	Secondary TRIO Lighthead, Red/Blue/White. For Use in Positions 2-6
TCRWXPJA	Primary TRIO Lighthead Includes Lamp Driver, One Required in Position 1, for Each TRIO Tracer, Red/Blue/Amber
TCRWXSJA	Secondary TRIO Lighthead, Red/Blue/Amber. For Use in Positions 2-6

Consult current price list for full list of available options at [whelen.com/literature](http://whelen.com/literature).



Replace \* symbol in model number with letter indicating color desired: A=Amber, B=Blue, R=Red, C=White  
 Replace # in model number with interleaved color desired: D=Red/White, E=Blue/White, F=Amber/White, J=Red/Blue, K=Red/Amber, M=Blue/Amber

## DIMENSIONS



"L" Size Chart

13.8"	26.16"	38.53"	50.9"	63.26"	75.62"
(35cm)	(66cm)	(98cm)	(129cm)	(161cm)	(192cm)
1 module	2 module	3 module	4 module	5 module	6 module



# Dominator™ & Dominator Plus™ Series



## FEATURES

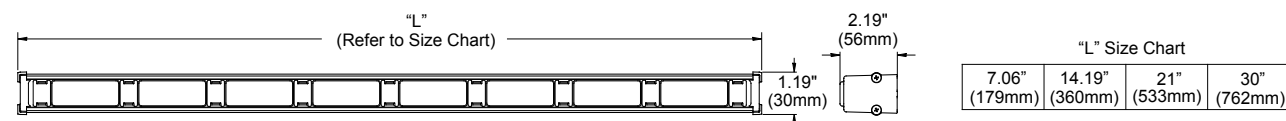
- SAE Class 1 Certified
- Low-profile surface mount housing designed for interior or exterior use
- Choice of TIR3™ or LINZ6™ Super-LED® modules
- Fully encapsulated for moisture, vibration, and corrosion resistance
- Internal self-contained electronics
- Hard-coated lenses resist environmental damage from sand, sun, salt, and road chemicals
- Extruded aluminum Black powder-coated housing
- Eight-module units are available with end flashers

Models	Description	Amps	Patterns
<b>Dominator Series</b>			
D2	TIR3 Super-LED®, 2-Lamp, Requires Two D*	0.4/Peak 0.16/Avg per Lamp	7 Scan-Lock*
D4	TIR3 Super-LED, 4-Lamp, Requires Four D*		
D6	TIR3 Super-LED, 6-Lamp, Requires Six D*		10 Scan-Lock
D8	TIR3 Super-LED, 8-Lamp, Requires Eight D*		
D*	TIR3 Super-LED Lighthouse, Amber, Blue, Red or White		
<b>Dominator Plus Series</b>			
DP2	LINZ6 Super-LED, 2-Lamp, Requires Two DP*	0.75/Peak 0.30/Avg per Lamp	7 Scan-Lock
DP4	LINZ6 Super-LED, 4-Lamp, Requires Four DP*		
DP6	LINZ6 Super-LED, 6-Lamp, Requires Six DP*		10 Scan-Lock
DP8	LINZ6 Super-LED, 8-Lamp, Requires Eight DP*		
DP*	LINZ6 Super-LED Lighthouse, Amber, Blue, Red or White		



Replace \* symbol in model number with letter indicating color desired: A=Amber, B=Blue, R=Red, C=White

## DIMENSIONS



# DASH & DECK





# Avenger® II Series

5YR 12 NFPA 1901 SAE CLASS 1 HARD COAT SCAN LOCK ISOLO DUO TRIO



## FEATURES

- SAE Class 1 Certified
- Combination Linear/TIR™ optics provide high-intensity warning and illumination and a smaller profile maximizes space for optimal versatility
- Available in SOLO™, DUO™ or TRIO™ models
- Polycarbonate housing
- Solid-state electronics
- Conformal coated electronics
- Cigar plug series models include 10' cord with On/Off switch and Scan-Lock™ flash pattern switch
- Hard-wire series models include 2-wire (SOLO), 3-wire (DUO) or 4-wire (TRIO) pigtail

Models	Description	Override	Patterns
AVC11*	Single Lamp, SOLO, Amber, Blue, Red or White	N/A	26 Scan-Lock
AVC21**	Dual Lamp, SOLO, Amber, Blue, Red or White		55 Scan-Lock
AVC12#	Single Lamp, DUO, Red/White, Blue/White, Amber/White, Red/Blue, Red/Amber or Blue/Amber		26 Scan-Lock
AVC22DD	Dual Lamp, DUO, Two Red/White		55 Scan-Lock
AVC22DE	Dual Lamp, DUO, One Red/White, One Blue/White		
AVC22EE	Dual Lamp, DUO, Two Blue/White		
AVC22FF	Dual Lamp, DUO, Two Amber/White		
AVC22JJ	Dual Lamp, DUO, Two Red/Blue		
AVC22MM	Dual Lamp, DUO, Two Blue/Amber		
AVC13RBC	Single Lamp, TRIO, Red/Blue/White		White
AVC13RBA	Single Lamp, TRIO, Red/Blue/Amber	Amber	
AVC13RAC	Single Lamp, TRIO, Red/Amber/White	White	
AVC13BAC	Single Lamp, TRIO, Blue/Amber/White	White	
AVC23RBC	Dual Lamp, TRIO, Red/Blue/White	White	55 Scan-Lock
AVC23RBA	Dual Lamp, TRIO, Red/Blue/Amber	Amber	
AVC23RAC	Dual Lamp, TRIO, Red/Amber/White	White	
AVC23BAC	Dual Lamp, TRIO, Blue/Amber/White	White	

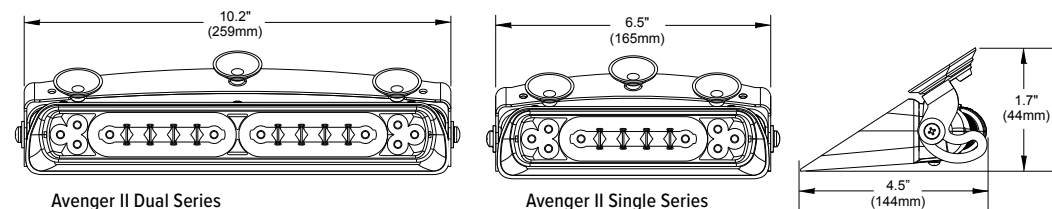
Consult current price list for full list of available options at [whelen.com/literature](http://whelen.com/literature)

Replace \* symbol in model number with letter indicating color desired: A=Amber, B=Blue, R=Red, C=White

Replace # in model number with interleaved color desired: D=Red/White, E=Blue/White, F=Amber/White, J=Red/Blue, K=Red/Amber, M=Blue/Amber



## DIMENSIONS



# SpitFire ION™ Series

5YR 10YR 12 NFPA 1901 SAE CLASS 1 HARD COAT SYNC SCAN LOCK ISOLO



## FEATURES

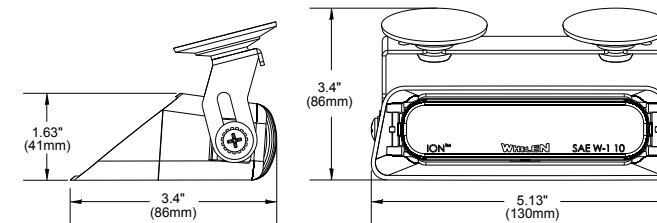
- Polycarbonate housing
- Solid-state electronics
- Conformal coated electronics
- Hard-coated lenses resist environmental damage from sand, sun, salt, and road chemicals
- Models include 10' cord with cigar plug with On/Off switch and Scan-Lock™ flash pattern switch
- 10-year warranty on lighthead and a 5-year warranty on housing and electronics

Models	Description	Amps	Patterns
SFION*	Amber, Blue, Red or White	1.0/Peak	25 Scan-Lock, Single-Color
SFION#	Split-Color, Red/White, Blue/White or Red/Blue	0.46/Avg	69 Scan-Lock, Split-Color

Replace \* symbol in model number with letter indicating color desired: A=Amber, B=Blue, R=Red, C=White  
Replace # in model number with interleaved color desired: D=Red/White, E=Blue/White, J=Red/Blue



## DIMENSIONS



# FlatLighter™ Series

5YR 12 SAE CLASS 1 HARD COAT SCAN LOCK



## FEATURES

- Visor mount interior light
- Hard-coated lenses resist environmental damage from sand, sun, salt, and road chemicals
- Includes Velcro mounting straps
- Includes 8' straight cord with cigar plug

Model	Technology	Amps	Patterns	Size
FLLED**	LED	0.90/Peak, 0.38/Avg	21 Scan-Lock	4.5" (114mm) H x 13" (330mm) W x 1.25" (32mm) D

Consult current price list for full list of available options at [whelen.com/literature](http://whelen.com/literature)

Replace \* symbol in model number with letter indicating color desired: A=Amber, B=Blue, R=Red, C=White





# LIGHTHEADS





# Vertex™ Series



## FEATURES

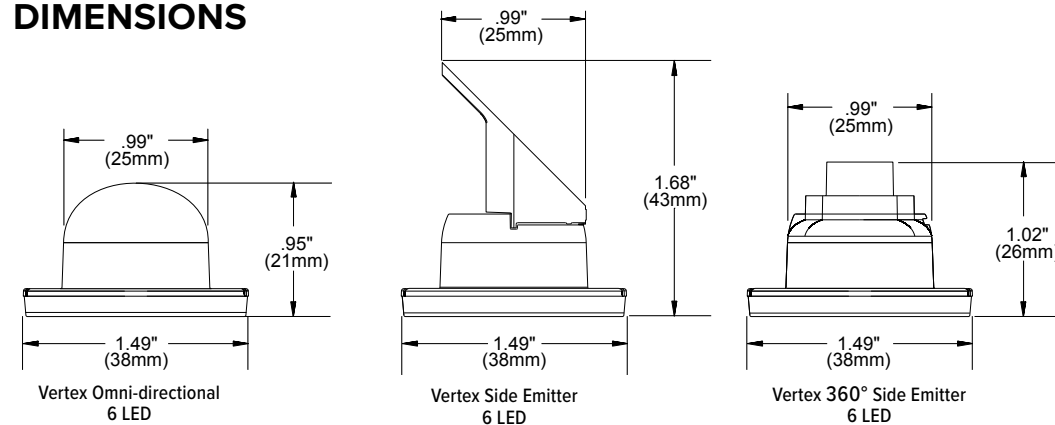
- Self-contained light with in-line lamp driver
- Available as an omni-directional, side emitter, or directional lighthouse
- Designed to mount in composite style headlight or taillight, or surface mount to exterior surfaces with flange mount option
- Fully encapsulated
- Hard-coated lenses resist environmental damage from sand, sun, salt, and road chemicals
- Clear outer lens, Color LEDs
- Available with Smoked lenses
- 9' Cable

Models	Description	Mount	Amps	Patterns
VTX609*	Omni-Directional Lighthouse, Red, Blue, Amber or White	1" Hole Recess or Surface with Flange	0.75/Peak 0.30/Avg	25 Scan-Lock™
VTX9#	Omni-Directional Lighthouse, DUO™. Amber, Blue, White and/or Red			
VTXD609*	Directional Lighthouse, Includes Side Emitting Shield, Red, Blue, Amber or White			
VTXD609#	Directional Lighthouse, Includes Side Emitting Shield, Split-Color, Red, Blue, Amber and/or White			
VTX3609*	360° Side Emitter Lighthouse, Red, Blue, Amber or White			
VTX3609#	360° Side Emitter Lighthouse, Split-Color, Red, Blue, Amber and/or White			
Options	Description			
VTXFB	Flange Kit, Surface Mount, Black			
VTXFC	Flange Kit, Surface Mount, Chrome			
VTXADAPT	Twist-In Adapter for use with 2020-2022 Ford Police Utility Factory Prep Option			

Consult current price list for full list of available options at [whelen.com/literature](http://whelen.com/literature)  
 Replace \* symbol in model number with letter indicating color desired: A=Amber, B=Blue, R=Red, C=White  
 Replace # in model number with interleaved color desired: D=Red/White, E=Blue/White, F=Amber/White, J=Red/Blue



## DIMENSIONS



⚠ WARNING: This product may contain chemicals known to the State of California to cause cancer and birth defects or other reproductive harm. For more information, visit [whelen.com/regulatory](http://whelen.com/regulatory).

# Micron™ Series



## FEATURES

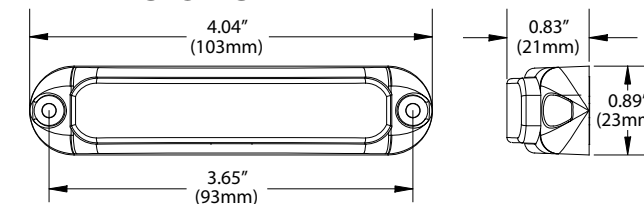
- Easily mounts to surface via two screws
- Linear Super-LED® optics
- Fully encapsulated
- Stud mount Micron allows for easy and simple surface mount installation
- Hard-coated lenses resist environmental damage from sand, sun, salt, and road chemicals
- Available with SAE Class 1 Certified Smoked lenses

Models	Technology	Mount	LED Colors	Lens Color	Flange	Amps	Patterns	Cable
MCRNS*	Linear Super-LED®	Surface	Amber, Blue, Red or White	Clear	Black	0.6/Peak 0.24/Avg	25 Scan-Lock™	6" Pigtail
MCRNSC*			Red/White, Red/Blue or Amber/Red		Chrome			
MCRNS#			Red/White, Red/Blue or Amber/Red		Black			
MCRNSC#			Red/White, Red/Blue or Amber/Red	Chrome				
MCRNS*X			Amber, Blue, Red or White	Smoked	Black			
MCRNSC#X			Red/White, Red, Blue or Amber/Red					
MCRNT*		Stud	Amber, Blue, Red or White	Clear	-			
MCRNT#			Red/White, Red/Blue or Amber/Red					
MCRNT*X			Amber, Blue, Red or White	Smoked				
MCRNT#X			Red/White, Red/Blue or Amber/Red					
Options	Description							
MCRNB1	Black Angle "L" Mounting Bracket							
MCRNB2	Optional Universal License Plate Bracket for Two MCRNS Lighthoods, Horizontal Mount							
MCRNB3	Optional Rear Child Restraint Mounting Brackets (pair) for 2011-2023 Dodge Charger, Requires Two Microns or LINZ6™ Series Lighthoods Purchased Separately. Not for use with Rear Inner Edge® Lightbars							

Consult current price list for full list of available options at [whelen.com/literature](http://whelen.com/literature)  
 Replace \* symbol in model number with letter indicating color desired: A=Amber, B=Blue, R=Red, C=White  
 Replace # in model number with interleaved color desired: D=Red/White, J=Red/Blue, K=Red/Amber



## DIMENSIONS



⚠ WARNING: This product may contain chemicals known to the State of California to cause cancer and birth defects or other reproductive harm. For more information, visit [whelen.com/regulatory](http://whelen.com/regulatory).



# ION™ Series



## FEATURES

- SAE Class 1 Certified
- SOLO™ models available in single or split-colors
- DUO™ and TRIO™ models feature Linear Super-LED® optics

- Available with Smoked lenses
- Hard-coated lenses resist environmental damage from sand, sun, salt, and road chemicals
- Surface or universal mount

Models	Description	LED Colors	Lens Color	Amps	Patterns
ION*	Directional Linear Super-LED	Amber, Blue, Red or White	Clear	1.0/Peak 0.4/Avg	33 Scan-Lock™
XON*	Directional Linear Split-Color Super-LED		Smoked		
ION#	Wide-Angle Linear Super-LED	Red/Blue, Red/White or Blue/White	Clear		
XON#			Smoked		
WION*	Wide-Angle Linear Super-LED	Amber, Blue, Red or White	Clear		
WXON*			Smoked		
WION#			Clear		
WXON#			Smoked		
IONSM*	Directional Linear Super-LED	Amber, Blue, Red or White	Clear		
XONSMSM*			Smoked		
IONSMSM#	Directional Linear Super-LED	Red/Blue, Red/White or Blue/White	Clear		
XONSMSM#			Smoked		
WIONSMSM*	Wide-Angle Super-LED	Amber/White, Blue/White, Red/White, Blue/Red or Blue/Amber	Clear		
WXONSMSM*			Smoked		
WIONSMSM#			Clear		
WXONSMSM#	Wide-Angle Super-LED	Amber/Blue, Amber/White, Red/Blue or Red/White	Smoked		
I2#	DUO Linear-LED, Universal Mount	Red/White, Blue/White, Amber/White, Red/Blue or Blue/Amber	Clear		
XI2#			Smoked		
I3#	TRIO Linear-LED, Universal Mount	Red/Blue/White, Red/Blue/Amber, Red/Amber/White or Blue/Amber/White	Clear		
XI3#			Smoked		
I2SM#	DUO Linear-LED, Surface Mount	Red/White, Blue/White, Amber/White, Red/Blue or Blue/Amber	Clear		
XI2SM#			Smoked		
I3SM#	TRIO Linear-LED, Surface Mount	Red/Blue/White, Red/Blue/Amber, Red/Amber/White or Blue/Amber/White	Clear		
XI3SM#			Smoked		

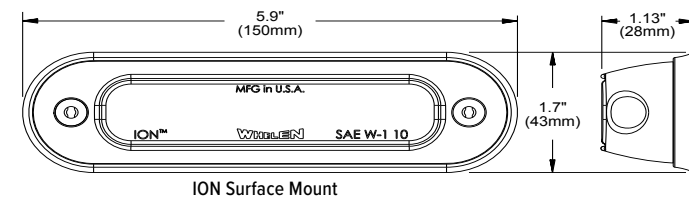
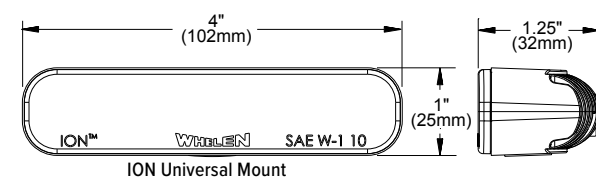
Consult current price list for full list of available options at [whelen.com/literature](http://whelen.com/literature)

Replace \* symbol in model number with letter indicating color desired: A=Amber, B=Blue, R=Red, C=White

Replace # in model number with interleaved color desired: D=Red/White, E=Blue/White, F=Amber/White, J=Red/Blue, K=Red/Amber, M=Blue/Amber



## DIMENSIONS



# ION™ T-Series™ & Mini T-Series



## FEATURES

- Linear Super-LED® optics
- Available in SOLO™, DUO™ and TRIO™ models
- Hard-coated lenses resist environmental damage from sand, sun, salt, and road chemicals
- SOLO models available in single or split-colors

- Available with Smoked lenses
- Easily mounts to the surface via two screws
- Includes Black flange
- E Block™ technology prevents air and moisture from entering lighthouse

Models	Technology	LED Colors	Lens Color	Amps	Patterns
TLI*	SOLO, Linear Super-LED	Amber, Blue, Red or White	Clear	0.6/Peak 0.24/Avg	25 Scan-Lock™
TLI*X			Smoked		
TLI#	SOLO, Linear Split-Color Super-LED		Clear		
TLI#X			Smoked		
TLI2#	DUO, Linear Super-LED	Red/White, Blue/White, Amber/White, Red/Blue or Amber/Blue	Clear	69 Scan-Lock	
TLI2#X			Smoked		
TLI3#	TRIO, Linear Super-LED	TRIO, Red/Blue/White, Red/Blue/Amber, Red/Amber/White or Blue/Amber/White	Clear		
<b>Mini T-Series</b>					
TLM1*	SOLO, Linear Super-LED	Amber, Blue, Red or White	Clear	0.4/Peak, 0.16/Avg	25 Scan-Lock
TLM12#	DUO, Linear Super-LED	Red/White, Blue/White, Amber/White, Red/Blue or Amber/Blue		0.2/Peak, 0.08/Avg per Color	69 Scan-Lock

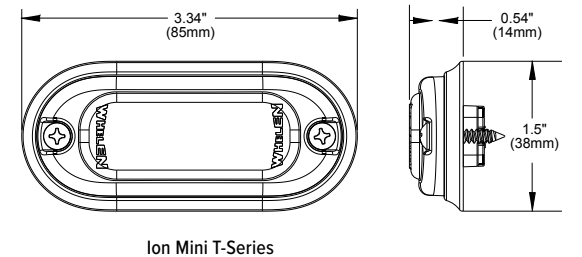
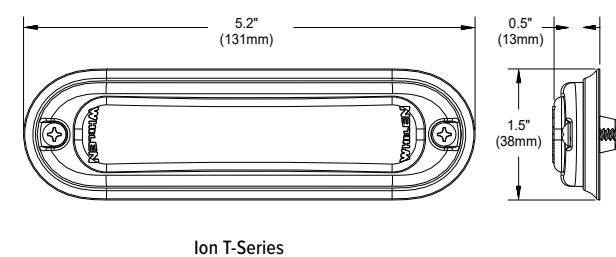
Consult current price list for full list of available options at [whelen.com/literature](http://whelen.com/literature)

Replace \* symbol in model number with letter indicating color desired: A=Amber, B=Blue, R=Red, C=White

Replace # in model number with interleaved color desired: D=Red/White, E=Blue/White, F=Amber/White, J=Red/Blue, K=Red/Amber, M=Blue/Amber



## DIMENSIONS





# ION™ V-Series™



## FEATURES

- SAE Class 1 Certified
- Linear Super-LED® optics
- Available in 3-in-1 combination warning, spotlight, and ground illumination light or in single-color warning-only models
- Black, White or Chrome housing

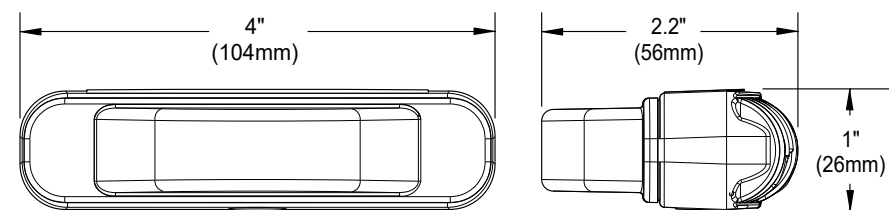
- Single-color models have combination 180° and TIR™ directional warning
- Hard-coated lenses resist environmental damage from sand, sun, salt, and road chemicals
- Available with Smoked lenses

Models	Optics	Technology	Mount	LED Colors	Lenses	Housing	Amps	Patterns
IONV3*	V-Series	Linear Super-LED	Universal	Amber, Blue, Red or White Warning with White Illumination	Clear	Black	Warning 0.76 Alley 0.31 Puddle 0.12	25 Scan-Lock™
XONV3*					Smoked	Black		
IONV3*W					Clear	White		
IONSV3*			Surface, Includes Flange		Clear	Black		
XONSV3*					Smoked	Black		
IONSV3*W					Clear	White		
IONSV3*C					Clear	Chrome		
XONV1*	V-Series with Directional	Linear and TIR Super-LED	Universal	Amber, Blue, Red or White	Smoked	Black	1.147	
IONV1*					Clear	Black		
IONV1*W					Clear	White		
IONSV1*			Surface, Includes Flange		Clear	Black		
XONSV1*					Smoked	Black		
IONSV1*W					Clear	White		
IONSV1*C					Clear	Chrome		

Replace \* symbol in model number with letter indicating color desired: A=Amber, B=Blue, R=Red, C=White



## DIMENSIONS



Universal Mount

# LINV2™ V-Series™



## FEATURES

- Available in 3-in-1 combination warning, spotlight, and ground illumination or in single-color warning only models
- Single-color models have combination 180° and TIR™ directional warning
- Includes steady-burn, alternating, and simultaneous patterns

- Black, White, or Chrome housing
- Hard-coated lenses resist environmental damage from sand, sun, salt, and road chemicals
- Available with SAE Class 1 Certified Smoked lenses

Models	Optics	Technology	Mount	LED Colors	Lens	VDC	Amps	Patterns
LINV2*	V-Series	Super-LED®	Horizontal, Surface	Amber, Blue, Red or White	Clear	12	0.75 Warning 0.12 Puddle	25 Scan-Lock™
LINV2*X					Smoked			
LINSV2*			Under Surface		Clear			
LINSV2*X					Smoked			

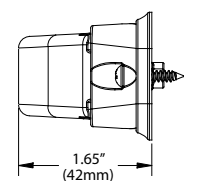
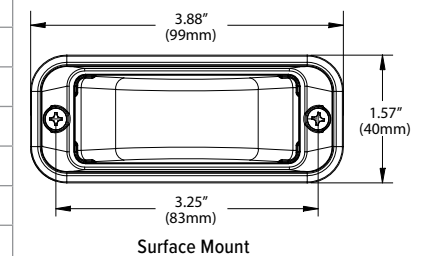
Consult current price list for full list of available options at [whelen.com/literature](http://whelen.com/literature)

Replace \* symbol in model number with letter indicating color desired: A=Amber, B=Blue, R=Red, C=White



Models	Description
RFLANGEC	Chrome-Plated Mounting Flange Kit
RFLANG2B	Black, Dual Surface Mount Flange Kit
RFLANG2C	Chrome-Plated, Dual Surface Mount Flange Kit
RGROMMET	Grommet Mount Kit
RBKT1	"L" Mounting Bracket for 1 Lighthouse
RBKT2	"L" Mounting Bracket for 2 Lighthouses
RBKT4	Swivel Mounting Bracket For 1 TIR3™ or LIN3™
RBKT6	License Plate Bracket for 2 Lighthouses, Horizontal Mount
RBKT7	License Plate Bracket for 2 Lighthouses, Vertical Mount
RBKT10	Trunk Mount Bracket for 2015-2022 Dodge Charger, Pair
RBKT17	2014-2018 Ram & Ram 1500 Classic, 2019-2021, Above the Rear Taillight Mounting Bracket, Pair
RBKT20	2020-2022 Ford Interceptor Utility Grille Stud Mounting Bracket, Pair. For use with Two LINV2 Lighthouses
LSVBKT13	Chevy Silverado 1500/2500, 2014-2018, Mount Under Side View Mirror
LSVBKT35	Dodge Charger, 2011-2023, Under-the-Side View Mirror Mount, Pair (When Used with Mirror Beam™, Housing Modification May Be Required)
LSVBKT42	Ram 1500, 2011-2018 & Ram 1500 Classic, 2019-2021 Mount Under Side View Mirror
LSVBKT44	Dodge Durango, 2013-2023, Mount Under Side View Mirror
LSVBKT47	Ford F-150, 2015-2023, Mount Under Side View Mirror for Two LINSV2™ Series Sold Separately, Pair (Does not Work for F-150, 2019-2020, if Passenger Side View Mirror has a Sensor)
LSVBK47C	Ford F-150, 2022, Mount Under Side View Mirror, Pair (Does not Work with 360° Camera Package)
LSVBKT50	Ford Police Interceptor Utility 2020-2022, Mount Under Side View Mirror, Pair (For use with Ford's Factory Side Marker LED Side View Mirror Option)
LSVBKT54	Chevy Tahoe, 2021-2023, Mount Under Side View Mirror

## DIMENSIONS



Surface Mount

Surface Mount



# V23™ Series



## FEATURES

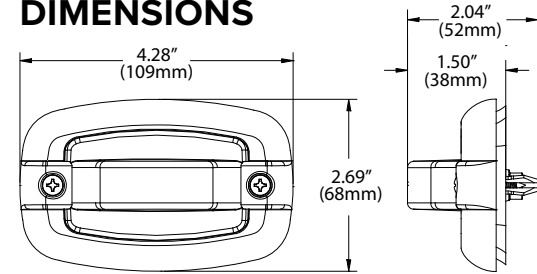
- Models have 3-in-1 180° wide-angle warning, illumination, and puddle light
- Hard-coated lenses resist environmental damage from sand, sun, salt, and road chemicals
- Mounts to surface via two screws for easy installation
- Available with Smoked lenses
- Available in steady-burn or with an internal flasher

Models	Optics	Technology	LED Colors	Lens	Patterns	Amps
V23*TPB	V-Series™	Super-LED®	Amber, Blue, Red or White Warning with White Illumination	Clear	26 Scan-Lock™	Warning 0.76/Peak 0.30/Avg Take-Down 0.62 Perimeter 0.12
V23*TPBX	(Black Flange)			Smoked		
V23*TPC	V-Series			Clear		
V23*TPCX	(Chrome Flange)			Smoked		

Consult current price list for full list of available options at [whelen.com/literature](http://whelen.com/literature)  
 Replace \* symbol in model number with letter indicating color desired: A=Amber, B=Blue, R=Red, C=White



## DIMENSIONS



# OS™ Series



## FEATURES

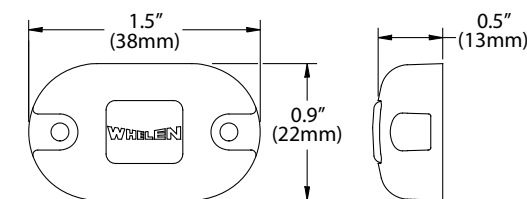
- Fully encapsulated
- Includes Chrome housing
- Clear outer lens, Color LEDs
- Hard-coated lenses resist environmental damage from sand, sun, salt, and road chemicals

Models	Description	LED Colors	Amps	Patterns	Flasher	Cable
OS*00FCR	5mm LED Surface Mount, Includes Chrome Flange	Amber, Blue, Red or White	60mA/Peak, 30mA/Avg	Single Flash	Built-In	6" Pigtail
OS*00SCR			30mA	Steady	Requires Flasher (Purchased separately)	

Consult current price list for full list of available options at [whelen.com/literature](http://whelen.com/literature)  
 Replace \* symbol in model number with letter indicating color desired: A=Amber, B=Blue, R=Red, C=White



## DIMENSIONS



# M2 & M4 Series



## FEATURES

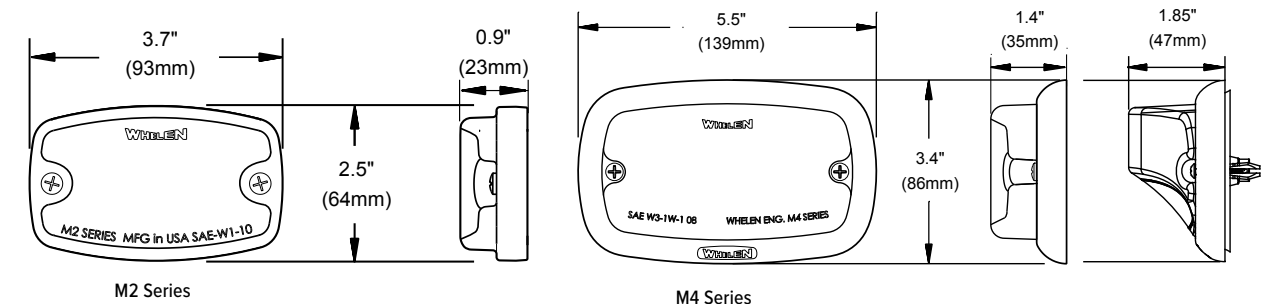
- Available in combination warning/scene light
- Hard-coated lenses resist environmental damage from sand, sun, salt, and road chemicals
- Mounts to surface via two screws for easy installation
- Available with Clear or Color lenses
- Available in steady-burn or with an internal flasher
- Dynamic Variable Intensity™ (DVI™) light patterns
- E Block™ technology prevents air and moisture from entering lighthead

M2 Models	Optics	LED Colors	Lens	Patterns	Amps
M2*	Directional	Amber, Blue, Red or White	Color	25 Scan-Lock™ with Steady-Burn	1.0/Peak 0.45/Avg
M2*C		Red/White, Amber/White, Red/Blue or Red/Amber	Clear	69 Scan-Lock	
M2#	Wide-Angle	Amber, Blue, Red or White	Color	26 Scan-Lock with Steady-Burn	
M2W*		Red/White, Red/Blue or Red/Amber	Clear	69 Scan-Lock	
M2W#					
M4 Models	Optics	LED Colors	Lens	Patterns	Amps
M4*	Directional	Amber, Blue, Red or White	Color	125 Scan-Lock	1.5/Peak 0.6/Avg
M4*C		Red/White, Amber/White, Red/Blue or Red/Amber	Clear	64 Scan-Lock	
M4#		Amber, Blue, Red or White	Color	-	
M4*S		White with Blue or Red	Clear	50 Scan-Lock	Warning & Driving 1.0/Peak, 0.4/Avg
M4*CS	White with Red over Blue Split				
M4DW*					
M4DWJ					
M4V2*	V-Series™	Amber, Blue, Red or White Warning with White Illumination	Clear	25 Scan-Lock	Warning 1.0/Peak 0.40/Avg Perimeter 0.77

Consult current price list for full list of available options at [whelen.com/literature](http://whelen.com/literature)  
 Replace \* symbol in model number with letter indicating color desired: A=Amber, B=Blue, R=Red, C=White  
 Replace # in model number with interleaved color desired: D=Red/White, E=Blue/White, F=Amber/White, J=Red/Blue, K=Red/Amber, M=Blue/Amber



## DIMENSIONS







## Mirror-Beam™ Series

10YR 5YR 12 SAE CLASS 1 SYNC SCAN LOCK STEADY-BURN ISOLO DUO



### FEATURES

- SAE Class 1 Certified
- Custom textured Black vacuum-formed ABS housings fit over existing mirror glamour caps
- Available with ION™ V-Series™ 3-in-1 combination warning, alley/flood, and puddle light
- Hard-coated lenses resist environmental damage from sand, sun, salt, and road chemicals
- Includes multiple Scan-Lock™ flash patterns (with Phase 1 and Phase 2 for alternating or simultaneously flashing lights) and steady-burn plus synchronize feature
- Available in split LED colors
- Available with SAE Class 1 Certified Smoked lenses
- 10-year warranty on lighthoods and a 5-year warranty on housing

Models	Description
MBCT21	Chevy Tahoe, 2021-2023
MBDC11	Dodge Charger, 2011-2023
MBDD19	Dodge Durango, 2018-2023
MBFX20	Ford Police Interceptor Utility, 2020-2023
MBION*	ION SOLO™ Lighthouse, Single or Split-Colors, 2 Lighthoods Required
MBXON*	ION SOLO Lighthouse, Single or Split (Red/Blue Only) Colors, with Smoked Lens, 2 Lighthoods Required
MBI2#	ION DUO™ Lighthouse, 2 Lighthoods Required
MBX12#	ION DUO Lighthouse, with Smoked Lens, 2 Lighthoods Required
MBIONV*	V-Series ION Lighthouse, 2 Lighthoods Required
MBXONV*	V-Series ION Lighthouse, with Smoked Lens, 2 Lighthoods Required

Consult current price list for full list of available options at [whelen.com/literature](http://whelen.com/literature)  
 Replace \* symbol in model number with letter indicating color desired: A=Amber, B=Blue, R=Red, C=White  
 Replace # in model number with interleaved color desired: D=Red/White, E=Blue/White, F=Amber/White, J=Red/Blue, K=Red/Amber, M=Blue/Amber



## 4" Round Series

5YR 12 NFPA 1901 SAE CLASS 1 HARD COAT SYNC SCAN LOCK

### FEATURES

- Hard-coated lenses resist environmental damage from sand, sun, salt, and road chemicals
- Supplied with adapter for PAR-36 (4.5") applications
- Conformal coated electronics for moisture and vibration resistance

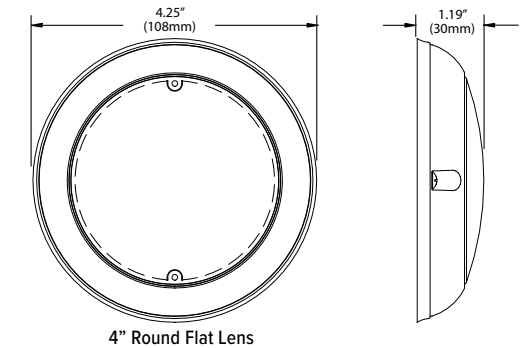


Model	Technology	Mount	LED Colors	VDC	Amps in mA	Patterns	Cable
2F*00Z*R	Super-LED®	Surface or Grommet	Amber, Blue, Red or White	12	0.8/Peak, 0.32/Avg	25 Scan-Lock™	6" Pigtail

Consult current price list for full list of available options at [whelen.com/literature](http://whelen.com/literature)  
 Replace \* symbol in model number with letter indicating color desired: A=Amber, B=Blue, R=Red, C=White



### DIMENSIONS



## 3" Round Series

5YR 12 NFPA 1901 HARD COAT SCAN LOCK

### FEATURES

- Hard-coated lenses resist environmental damage from sand, sun, salt, and road chemicals
- Available with Clear or Color lenses

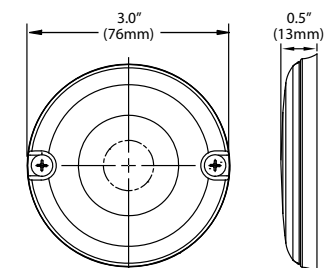


Models	Technology	Mount	LED Colors	VDC	Amps in mA	Cable
3S*00F*R	LED Warning	Surface	Amber, Blue or Red	12	0.50/Peak, 0.25/Avg	6" Pigtail
3SC0CD CR	LED Compartment		White		0.36	

Consult current price list for full list of available options at [whelen.com/literature](http://whelen.com/literature)  
 Replace \* symbol in model number with letter indicating color desired: A=Amber, B=Blue, R=Red, C=White



### DIMENSIONS





# 3.5" & 4" Round Extended Lens



## FEATURES

- Hard-coated lenses resist environmental damage from sand, sun, salt, and road chemicals
- Fully encapsulated for moisture, vibration, and corrosion resistance

### 3.5" ROUND

- Solid or split-color warning light
- Interleaved LEDs for combination warning and driving light

### 4" ROUND EXTENDED LENS

- Linear6™ Super-LED® with synchronize feature
- Optional flasher simultaneously flashes or alternates multiple LED lighthoods



PAR28DJ

Models	Lamp Type	Technology	Mount	LED Color	Amps	Patterns	Cable	Size
PAR28*	3.5" Round	Linear6 Super-LED	Fog Light	Amber, Blue, Red or White	2.0/Peak 0.9/Avg	25 Scan-Lock™	6" Pigtail	3.5" (89mm) Dia.
PAR28#				Red/White, Blue/White or Red/Blue		69 Scan-Lock		
PAR28D*	3.5" Round White			White with Blue or Red	1.0/Peak 0.4/Avg	50 Scan-Lock		
PAR28DJ	Driving Light			White with Blue or Red				
2E*00Z*R	4" Round Extended Lens		Requires Optional Mounting	Amber, Blue, Red or White	2.0/Peak 0.9/Avg	25 Scan-Lock		4.25" (108mm) Dia. x 2" (51mm) Depth
2E#00ZCR				Red/White, Blue/White or Red/Blue		69 Scan-Lock		

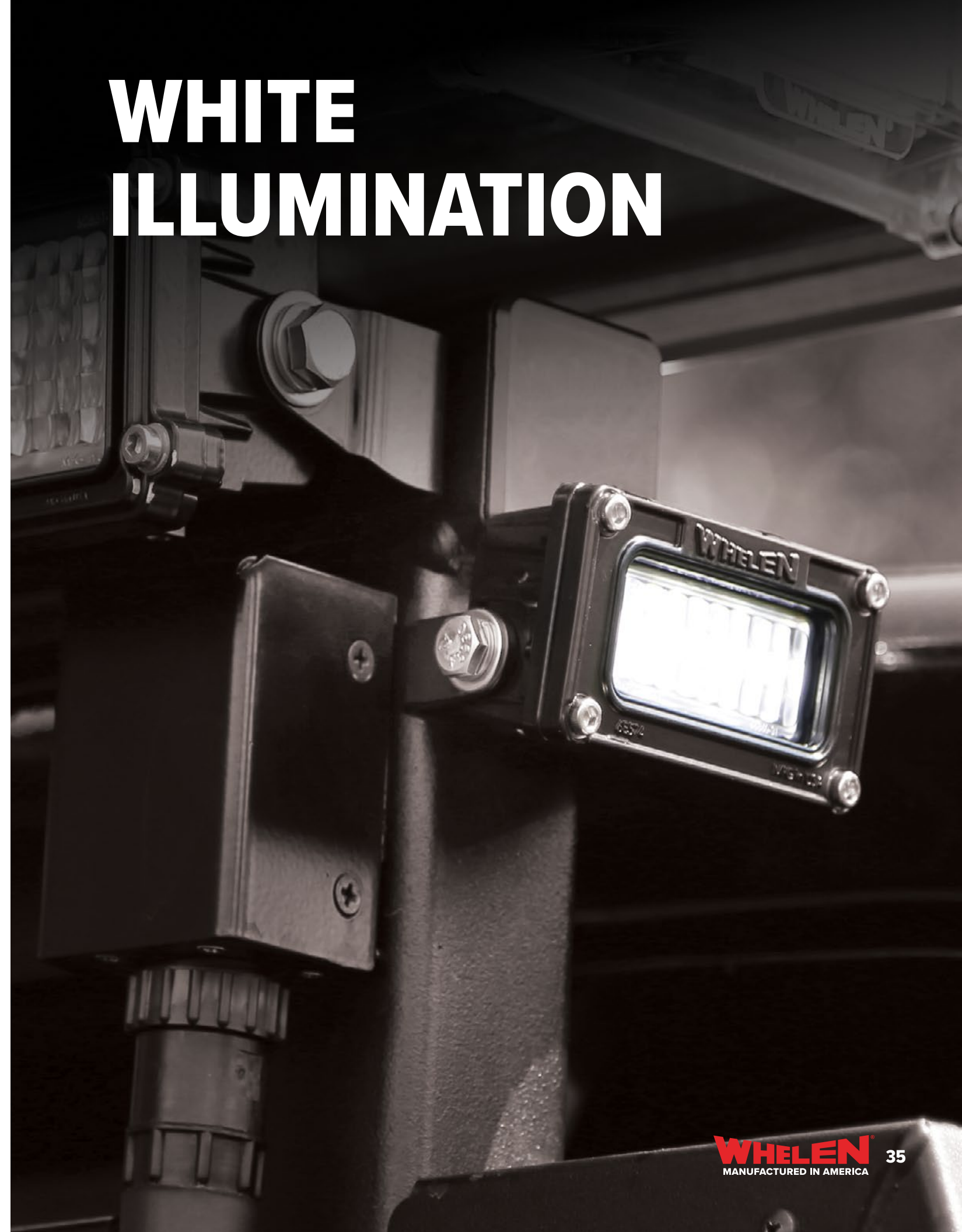
Consult current price list for full list of available options at [whelen.com/literature](http://whelen.com/literature)  
 Replace \* symbol in model number with letter indicating color desired: A=Amber, B=Blue, R=Red, C=White  
 Replace # in model number with interleaved color desired: D=Red/White, E=Blue/White, J=Red/Blue



## OPTIONS

Models	Description
2GROMMET	Rubber Grommet Kit for 2E Series
2FLANGEC	Chrome Flange Kit for 2E Series
2FLANGEB	Black Flange Kit for 2E Series

# WHITE ILLUMINATION







# Arges<sup>®</sup> Remote Spotlight

2YR MOTOR ONLY 10YR 12 X PROCLERA ProFocus.

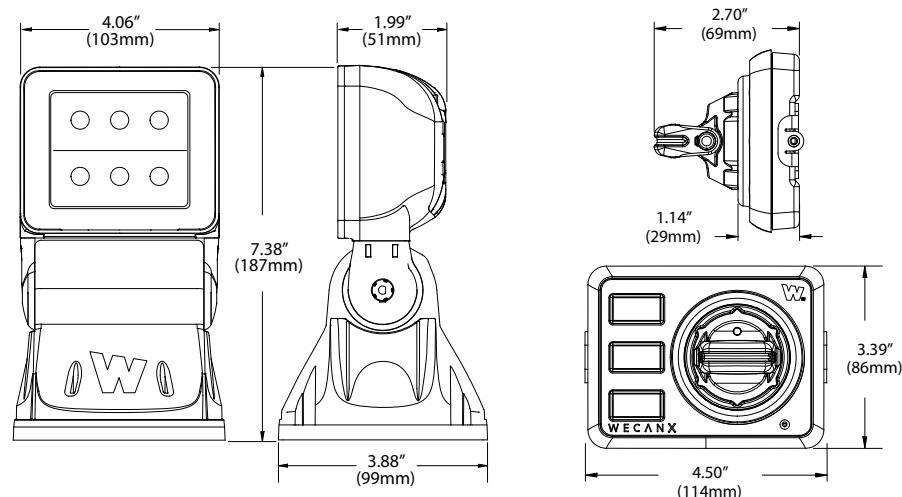
## ARGES<sup>®</sup>



### FEATURES

- Innovative design provides 360° of continuous rotation and a 180° tilt range
- ProFocus<sup>™</sup> Models: 5° spot to 60° flood variable beam width
- Spotlight Models: 5° spot
- Proclera<sup>®</sup> Silicone Optics
- Black die-cast aluminum housing
- CenCom Core<sup>®</sup> and WeCanX<sup>®</sup> compatible
- Drivetrain is electronically and mechanically protected
- Arges installs quickly and requires no A-pillar drilling or airbag interference
- Includes two 18" power control harnesses and one 12" communication cable
- Control head features a paddle and three push-buttons
- Program Arges with Whelen Command<sup>®</sup> or use alone with its paired control head
- Full Arges system passes CISPR 25 Class 3

### DIMENSIONS



Models	Description
ARGES1	5° Spotlight with Proclera <sup>®</sup> Silicone Optics
ARGES2	ProFocus <sup>™</sup> , select from Spot/Flood Combination Light or Floodlight from the Control Head
ARGCH1	Control Head for Arges <sup>®</sup> , Bail Bracket
ARGCH2	Control Head for Arges, Swivel Mount
ARGFM	Flat Mount, Universal
ARGFMKT	Arges Kit, Includes ARGES1 Spotlight, ARGCH1 Control Head and ARGFM Flat Mount
ARGLB1	Lightbar Mounting Bracket for Legacy <sup>®</sup> , Liberty <sup>™</sup> II, Justice <sup>®</sup> and Freedom <sup>®</sup> IV Series, ARGES with Flat Mount Purchased Separately
ARGMK1	Ford Police Interceptor Utility, 2020-2022, Driver Side Arges Control Head Mounting Kit
ARG35D	Dodge Charger, 2016-2022, Driver Side Fender Mount
ARG42D	Ram 1500/2500/3500, 2014-2018 and Ram 1500 (Classic), 2019-2021, Driver Side Fender Mount
ARG44AD	Dodge Durango, 2015-2022, Driver Side Fender Mount
ARG44AP	Dodge Durango, 2015-2023, Passenger Side Fender Mount
ARG47CD	Ford F-150, 2021-2023, Driver Side Fender Mount
ARG47CP	Ford F-150, 2021-2023, Passenger Side Fender Mount
ARG47BD	Ford F-250/F-350/F-450/F-550 Super-Duty, 2019-2022, Driver Side Fender Mount
ARG47BP	Ford F-250/F-350/F-450 Super-Duty, 2019-2022, Passenger Side Fender Mount
ARG47DD	Ford F-250/F-350, 2023, F-450/F-550/F600 Super-Duty, 2023, Driver Side Fender Mount
ARG47DP	Ford F-250/F-350, 2023, F-450/F-550/F600 Super-Duty, 2023, Passenger Side Fender Mount
ARG47ED	Ford F-150 Lightning, 2022, Driver Side Fender Mount
ARG47EP	Ford F-150 Lightning, 2022, Passenger Side Fender Mount
ARG48D	Ford Expedition, 2018-2022, Driver Side Fender Mount
ARG49D	Chevy Silverado 1500, 2019-2022, Driver Side Fender Mount
ARG49BD	Chevy Silverado 2500/3500, 2020-2022, Driver Side Fender Mount
ARG50D	Ford Police Interceptor Utility, 2020-2022, Driver Side Fender Mount
ARG50P	Ford Police Interceptor Utility, 2020-2022, Passenger Side Fender Mount
ARG53D	Ford Escape, 2020-2021, Driver Side Fender Mount
ARG54D	Chevy Tahoe & Suburban, 2021-2022, Driver Side Fender Mount
ARG54P	Chevy Tahoe & Suburban, 2021-2022, Passenger Side Fender Mount
ARG56D	Tesla Model Y, 2021-2022, Driver Side Fender Mount
ARG57D	Ford Mach-E, 2021-2022 Driver Side Fender Mount
ARG57P	Ford Mach-E, 2021-2022 Passenger Side Fender Mount

Consult current price list for full list of available options at [whelen.com/literature](http://whelen.com/literature).



# Handheld Spot/Floodlights



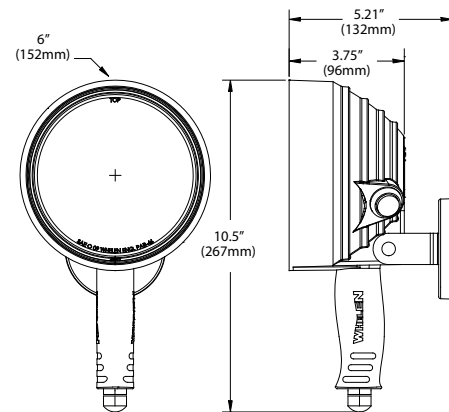
## FEATURES

- 90lb pull magnet mount with 8' coiled cord and cigar plug
- Built-in push-button On/Off switch
- Hard-coated lenses resist environmental damage from sand, sun, salt, and road chemicals

Model	Description	VDC
P46HHS	PAR-46, Super-LED® Handheld Spotlight	12

Consult current price list for full list of available options at [whelen.com/literature](http://whelen.com/literature).

## DIMENSIONS



# Rubber Housing Spot/Floodlights



## FEATURES

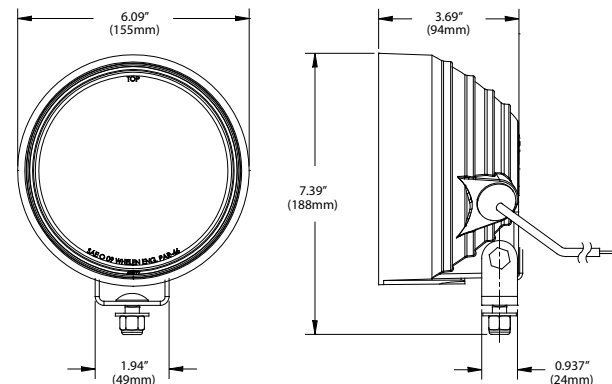
- Rubber stud/swivel housing
- Available with or without lighthead
- Hard-coated lenses resist environmental damage from sand, sun, salt, and road chemicals

Models	Description	Lumens
P46SLCHG	PAR-46, Spotlight	3,560
P46S3*H	PAR-46, 8° Spotlight with Red or Blue Warning	-

Consult current price list for full list of available options at [whelen.com/literature](http://whelen.com/literature).  
Replace \* symbol in model number with letter indicating color desired: B=Blue or R=Red



## DIMENSIONS



# PAR Replacement Lamps



## FEATURES

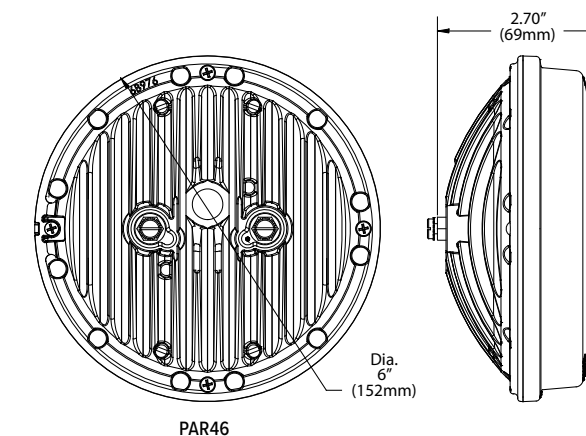
- Hard-coated lenses resist environmental damage from sand, sun, salt, and road chemicals
- Includes 6" pigtail
- Handheld units includes 90lb pull magnet mount
- Available with Clear or Smoked lenses

Models	Lamp Type	Usage	Color	Lens	Diodes	VDC	Amps		
P46SC	2° Spotlight	Direct Replacement	White	Clear	9	12	2.3		
P46SCX	(Replaces P46SLC or P46SLCX)			Smoked					
P46FL*	8° Spotlight		Amber, Blue, Red or White	Clear	18		1.9		
P46FLCX			White	Smoked					
P46WL*	20° High x 60° Wide Floodlight		Amber, Blue, Red or White	Clear				18	1.9
P46WLCX			White	Smoked					
P46S2*	DUO™ Color 8° Spotlight & Warning Light		White Spotlight, Red or Blue	Clear	18 Total, 12 White, 6 Color		Warning: 1/Peak, 0.40/Avg, Spot: 1.4		
P46S2*3			Warning						
P46S2X			White Spotlight, California Steady Red						
P46S2X2	DUO 8° Spotlight		Spotlight with California Steady Red						

Consult current price list for full list of available options at [whelen.com/literature](http://whelen.com/literature).  
Replace \* symbol in model number with letter indicating color desired: A=Amber, B=Blue, R=Red, C=White



## DIMENSIONS





# Pioneer Nano™



Download Pioneer™ Designer for models and options



## FEATURES

- 8° spotlight pattern comes standard. Includes additional optic lens for a light pattern of:
  - 40° x 20° flood
- Optic lens changes easily via removable lens retainer
- Injection molded polycarbonate lenses are impact resistant
- Die-cast aluminum powder-coated housing in Black or White

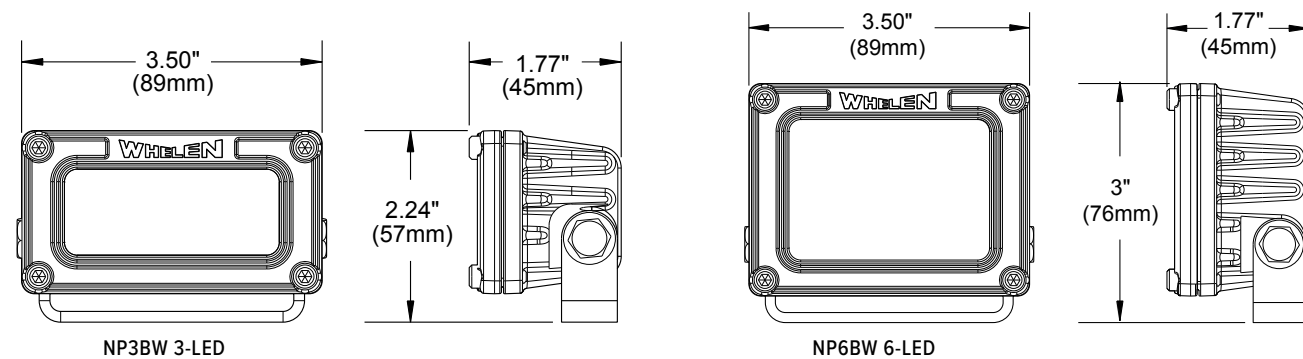
- Solid-state electronics
- LEDs are instant On/Off, eliminating high inrush current and ramp-up time
- Correlated Color Temperature (CCT) of 5,700° Kelvin simulates bright midday light
- Includes 6' cable
- Powder-coated stainless steel bail bracket with 3/8"-16 stud carriage bolt mount

Models	Mount	Housing	VDC	Lumens
NP3BW	3-LED, with Bail	White	12	1,566
NP3BB		Black		
NP6BW	6-LED, with Bail	White	12	2,552
NP6BB		Black		

Consult current price list for full list of available options at [whelen.com/literature](http://whelen.com/literature)



## DIMENSIONS



# Pioneer Micro™



Download Pioneer™ Designer for models and options



## FEATURES

- 8° spotlight pattern comes standard. Includes three additional optic lenses for a light pattern choice of:
  - 90° x 20° wide flood
  - 40° x 20° standard flood
  - 40° x 8° narrow flood
- Optic lens changes easily via removable lens retainer
- Injection molded polycarbonate lenses are impact resistant
- Die-cast aluminum powder-coated housing in Black or White
- Solid-state electronics
- LEDs are instant On/Off, eliminating high inrush current and ramp-up time

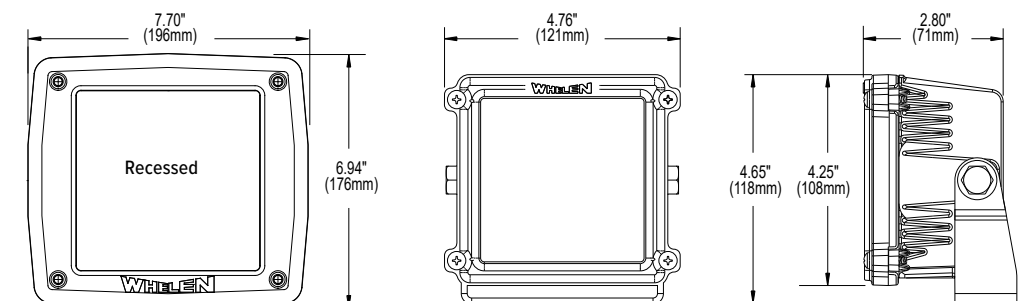
- Correlated Color Temperature (CCT) of 5,700° Kelvin simulates bright midday light
- Hard-coated lenses resist environmental damage from sand, sun, salt, and road chemicals
- Includes 6' cable
- Five mounts available:
  1. Powder-coated stainless steel bail bracket with 3/8"-16 stud carriage bolt mount
  2. Recessed 90° angle mount with Chrome flange
  3. Recessed 15° angle mount with Chrome flange
  4. Pole/pedestal mount with handle available with or without On/Off switch
  5. Low-profile pedestal mount available with Chrome or Black back cover, with or without On/Off switch

Models	Mount	Housing	VDC	Lumens
MPBW	Bail/Stud	White	12	5,695
MPBB		Black		
MPPW	Low-Profile Pedestal/Swivel	White	12	5,695
MPPWCS		White		
MPPB		Black		
MPPBBS		Black		
MPPBCS				
MPRW	Straight Recessed	White	12	5,695
MPRB		Black		
MPR15W	15° Recessed	White	12	5,695
MPR15B		Black		
MPR15B				

Consult current price list for full list of available options at [whelen.com/literature](http://whelen.com/literature)



## DIMENSIONS





# Pioneer SlimLine™

5YR 12 IP67 HARD COAT

Download Pioneer™ Designer for models and options



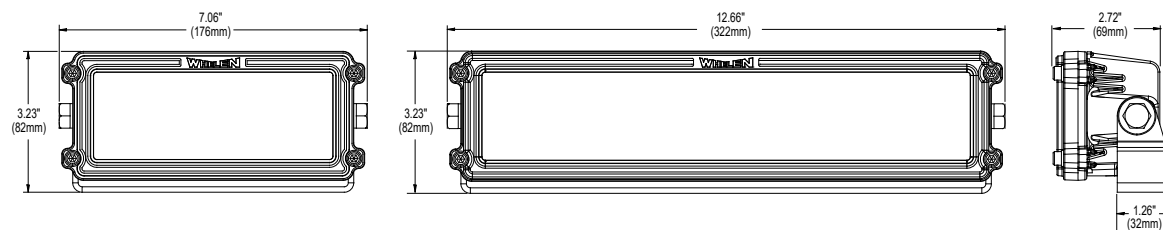
## FEATURES

- Available in single or dual models
- Single Lamp Models: 8° spotlight pattern comes standard. Includes additional 40° x 20° flood lens
- Dual Lamp Models: 8° spotlight pattern comes standard. Includes two additional optic lenses for a light pattern choice of:
  - Dual 40° x 20° flood
  - 8° spot and 40° x 20° flood
- Optic lens changes easily via removable lens retainer
- Injection molded polycarbonate lenses are impact resistant
- Die-cast aluminum powder-coated housing in Black or White
- Solid-state electronics
- LEDs are instant On/Off, eliminating ramp up time and high inrush current
- Correlated Color Temperature (CCT) of 5,700° Kelvin simulates bright midday light
- Includes 6' cable
- Powder-coated stainless steel bail bracket

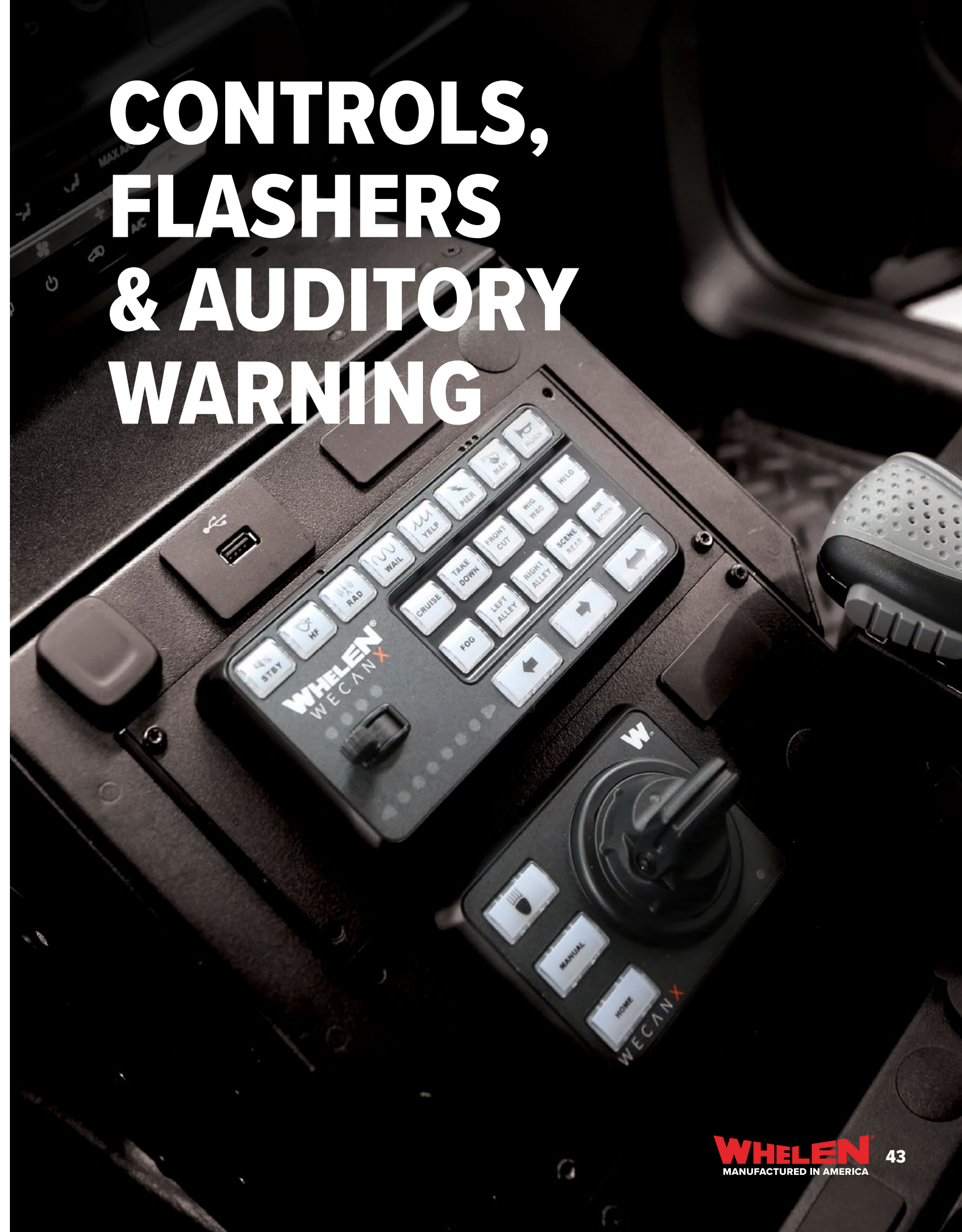
Models	Panels	Description	Housing	VDC	Lumens			
PSL1B	Single	Bail/Stud	White	12	5,103			
PSL1BB			Black					
PSL1P		Low-Profile Pedestal/Swivel	White					
PSL1PB			Black					
PSL1R		Semi-Recessed, Chrome Flange	White					
PSL1RB			Black					
PSL1R5			White					
PSL1R5B		Semi-Recessed 15° Angle Chrome Flange	Black					
PSL2B		Dual	Bail/Stud			White	12	10,206
PSL2BB						Black		
PSL2P	Low-Profile Pedestal/Swivel		White					
PSL2PB			Black					
PSL2R	Semi-Recessed, Chrome Flange		White					
PSL2RB			Black					
PSL2R5			White					
PSL2R5B	Semi-Recessed 15° Angle Chrome Flange		Black					

Consult current price list for full list of available options at [whelen.com/literature](http://whelen.com/literature)

## DIMENSIONS



# CONTROLS, FLASHERS & AUDITORY WARNING







## CENCOM CORE

Created to enhance first responder safety, CenCom Core redefined control systems by providing the greatest configurability, speed, and expansion yet. Built to scale with your needs, Core™ is highly configurable and offers advanced automation, remote connectivity, and true system synchronization.

- Powered by WeCanX®
- Supports any combination of up to 99 WeCanX devices
- Seamlessly integrates with Whelen Command® software
- Remote firmware updates through USB-C with Whelen Command or over-the-air with Whelen Cloud Platform®
- Vehicle-to-Vehicle Sync
- Dynamic Variable Intensity™ light patterns
- 17 total inputs
- 23 total outputs
- 10-year warranty



## CORE-R

Core-R™ is a vehicle control system engineered to enhance first responder and motorist safety with complete configurability, advanced automation, and remote connectivity.

- Powered by WeCanX
- Supports any combination of up to 99 WeCanX devices
- Seamlessly integrates with Whelen Command software
- Remote firmware updates through USB-C with Whelen Command or over-the-air with Whelen Cloud Platform
- Vehicle-to-Vehicle Sync
- Dynamic Variable Intensity light patterns
- 8 total inputs
- 10-year warranty



## CORE-S

The newest addition to Whelen's industry-leading Core family of control systems, Core-S™ is a true one-box solution. Its space-saving design allows for installation in tight spaces like in a console or under a dash. And installation has never been easier with connector placement specifically designed for hard-to-reach areas. Core-S features a siren, input/output, and control functionality in one compact box along with an integrated control head.

- Powered by WeCanX
- Seamlessly integrates with Whelen Command software
- Remote firmware updates through USB-C with Whelen Command or over-the-air with Whelen Cloud Platform
- Vehicle-to-Vehicle Sync
- Dynamic Variable Intensity light patterns
- 11 total inputs
- 16 total outputs
- 10-year warranty



## CORE-C

Core-C™ is the heart of a sophisticated warning light system for work trucks. Delivering enhanced WeCanX safety features with plug-and-play ease of installation, it combined the intelligence of a WeCanX controller with the functionality of a control head in one compact package.

- Powered by WeCanX
- Seamlessly integrates with Whelen Command software
- Remote firmware updates through USB-C with Whelen Command
- Vehicle-to-Vehicle Sync
- 1 input, 1 output
- Supports a primary WeCanX warning device
- Supports one Remote Expansion Module to bring DVI™ and intelligent lighting control to a vehicle's peripheral lighting like Vertex™, ION™, or Micron™ lightheads
- 10-year warranty

WARNING: This product may contain chemicals known to the State of California to cause cancer and birth defects or other reproductive harm. For more information, visit [whelen.com/regulatory](http://whelen.com/regulatory).

# WeCanX® CONTROL HEADS

Ergonomically designed for situational awareness, WeCanX control heads are completely configurable. Models support flashing indicator LEDs and can also run system diagnostics. The new passthrough WeCanX connection on the back of the control heads contributes to less wiring and an easier install.



### CCTL5

- Handheld 5-position
- 9 push-buttons
- Microphone extension cable



### CCTL6

- 4-position slide switch
- 13 push-buttons
- 7-position rotary knob



### CCTL7

- 4-position slide switch
- 21 push-buttons



### CCTL8

- 4-position slide switch
- 6 push-buttons



### CCTL9

- 6 push-buttons
- 7-position rotary switch
- Microphone plug



### CCTL10

- 22 push-buttons

WARNING: This product may contain chemicals known to the State of California to cause cancer and birth defects or other reproductive harm. For more information, visit [whelen.com/regulatory](http://whelen.com/regulatory).



# CENCOM CORE® MODELS

## WECANX® CONTROL SYSTEMS

<b>C399</b>	Amplifier Control Module, Flashing Outputs, Includes 3 CANport™ Signals, and Controls up to 99 Devices/Remote Modules, Control Heads Purchased Separately
<b>C399R</b>	Control Module, Includes 8 Digital Inputs, 3 CANports and Controls up to 99 Device/Remote Modules, Control Head and Other Optional Modules Purchased Separately, 10-30 VDC
<b>C399S</b>	200-Watt Amplifier Control Module, Flashing Outputs, Includes 3 CANports and Controls Up to 99 Devices/Remote Modules, Control Head and Other Modules Purchased Separately, 12 VDC
<b>C399SH</b>	100-Watt Amplifier Control Module with 100-Watt Howler™, Flashing Outputs, Includes 3 CANports and Controls Up to 99 Devices/Remote Modules, Control Head and Other Modules Purchased Separately, Single Howler Mounting Bracket Purchased Separately, 12 VDC
<b>C399S6</b>	Single Unit 200-Watt Siren with Integrated 3-Section Control Head and 8 Push-Buttons, 4-Position Slide Switch with a 7-Position Rotary Knob, Manual, Airhorn Plus 3 Traffic Advisor™ Switches and Microphone with Extension Cable
<b>C399S6H</b>	Single Unit 100-Watt Siren and 100-Watt Howler with Integrated 3-Section Control Head and 8 Push-Buttons, 4-Position Slide Switch with a 7-Position Rotary Knob, Manual, Airhorn Plus 3 Traffic Advisor Switches and Microphone with Extension Cable, Single Howler Mounting Bracket Purchased Separately, 12VDC
<b>C399S7</b>	Single Unit 200-Watt Siren with Integrated 3-Section Control Head and 21 Push-Buttons, 4-Position Slide Switch, Microphone with Extension Cable
<b>C399S7H</b>	Single Unit 100-Watt Siren and 100-Watt Howler with Integrated 3-Section Control Head and 21 Push-Buttons, 4-Position Slide Switch, Microphone with Extension Cable, Single Howler Mounting Bracket Purchased Separately, 12VDC
<b>CCP9</b>	Core™ Control Point for Core-C™ and Switch Combination, 4-Position Slide Switch and 6 Push-Buttons, One 5 Amp Output for Auxiliary Lighting, LED TA Indicator, 10-30 VDC and V2V Sync Capable
<b>CCPKT</b>	Core Control Point for use with WeCanX Devices when NOT using CenCom Core® (For use when not Purchasing a Lightbar)

## WECANX CONTROL HEADS

<b>CCTL5</b>	Includes Handheld Combination Microphone and Controller, 5-Position Progressive Light/Siren Control, 9 Push-Buttons and a Microphone Extension Cable
<b>CCTL6</b>	Includes 3-Section Control Head and 8 Push-Buttons, 4-Position Slide Switch with a 7-Position Rotary Knob. Manual, Airhorn Plus 3 Traffic Advisor Switches and Microphone with Extension Cable
<b>CCTL7</b>	Includes 3-Section Control Head and 21 Push-Buttons, 4-Position Slide Switch, Microphone with Extension Cable
<b>CCTL8</b>	Includes 6 Push-Buttons and a 4-Position Slide Switch, Includes Microphone
<b>CCTL8LM</b>	Includes 6 Push-Buttons and a 4-Position Slide Switch (Microphone Not Included)
<b>CCTL9</b>	Includes 2-Section Control Head and 6 Push-Buttons with a 7-Position Rotary Knob, Microphone and Microphone Extension Cable
<b>CCTL9LM</b>	Includes 2-Section Control Head and 6 Push-Buttons with a 7-Position Rotary Knob, (No Microphone and Microphone Extension Cable)
<b>CCTL10</b>	Includes 3-Section Control Head and 21 Push-Buttons, 1 Master Push-Button, Microphone with Extension Cable
<b>CCTLHARN</b>	CenCom Core Control Head Harness Kit, for use with any Non-Primary Control Head excluding the CCTL5, Control Heads Purchased Separately

## OBDII CANPORT™ INSTALLATION KITS FOR CORE™

<b>C399RD1</b>	Control Module, Includes 8 Digital Inputs, 1 WeCanX Port and Controls up to 99 Device/Remote Modules, and One CEM16 Module Mounted in a Single Box, Control Head and Other Optional Modules Purchased Separately, 12 VDC
<b>C399RD2</b>	Control Module, Includes 8 Digital Inputs, 1 WeCanX Port and Controls up to 99 Device/Remote Modules, and Two CEM16 Modules Mounted in a Single Box, Control Head and Other Optional Modules Purchased Separately, 12 VDC
<b>C399K1</b>	OBDII CANport™ Installation Kit for C399 for 2016-2019 Ford Interceptor Utility, 2020-2022 Ford Interceptor Utility used with Factory Option 61B, 2016-2020 Ford F-150, 2018-2022 Ford, F-250/350 2018-2019 Ford, F-450/550, Expedition and Transit 150/250/350, 2017-2019 Ford Fusion (All Models), 2020 Ford Fusion Hybrid and 2016-2017 Dodge Charger (Not for use with Core-R™ and C399S)
<b>C399K2</b>	OBDII CANport Installation Kit for C399 for Chevy, 2017-2020 Tahoe, 2017-2018 Silverado 1500, 2019-2021 Silverado 1500 (Body Style), 2017-2019 Silverado 2500/3500, 2019-2021 Colorado 1500, 2019 Impala, 2018-2020 Suburban (Not for use with Core-R and C399S)
<b>C399K3</b>	OBDII CANport Installation Kit for C399 for 2018-2020 Ram Classic 1500, 2019-2020 Ram 1500, 2021-2022 Ram 2500/3500, 2018-2022 Dodge Charger and 2018-2022 Dodge Durango (Not for use with Core-R and C399S)
<b>C399K4</b>	2020-2021 Ford Interceptor Utility Gateway Installation Kit for C399, for use WITHOUT Ford 61B Factory Option (Not for use with Core-R and C399S)
<b>C399K5</b>	2020-2021 Ford Expedition, 2020-2022 F-250/F-350/F-450/F550/F-600 Super Duty and 2020-2021 Transit Gateway Installation Kit for C399 (Not for use with Core-R and C399S)
<b>C399K6</b>	2021-2022 Chevy Tahoe and 2021-2022 Suburban Installation Kit for C399 (Not for use with Core-R and C399S)
<b>C399K7</b>	2021 Ford F-150, 2022 Ford F-150 Lightning, 2020-2022 Ford Interceptor Utility, 2022 Ford Escape, 2022 Ford Expedition and 2021-2022 Ford Mustang Mach-E Installation Kit for C399 (Not for use with Core-R and C399S)
<b>C399K8</b>	2021-2022 Tesla Model Y Installation Kit (Not for use with Core-R and C399S)
<b>C399K9</b>	2022 Chevy Silverado PPV/LTD, 2022 Chevy Colorado Installation Kit (Not for use with Core-R and C399S)

## OBDII CANPORT INSTALLATION KITS FOR CORE-R™ AND CORE-S™

<b>C399RK1</b>	OBDII CANport Installation Kit for C399R and C399S Only, for 2016-2019 Ford Interceptor Utility, 2020-2022 Ford Interceptor Utility used with Factory Option 61B, 2016-2020 Ford F-150, 2018-2022 Ford F-250/350, 2018-2019 450/550, Expedition and Transit 150/250/350, 2017-2019 Ford Fusion (All Models), 2020 Ford Fusion Hybrid and 2016-2017 Dodge Charger
<b>C399RK2</b>	OBDII CANport Installation Kit for C399R Only, for Chevy, 2017-2020 Tahoe, 2017-2018 Silverado 1500, 2019-2022 Silverado 1500 (Body Style), 2017-2019 Silverado 2500/3500, 2019-2021 Colorado 1500, 2019 Impala, 2018-2020 Suburban
<b>C399RK3</b>	OBDII CANport Installation Kit for C399R and C399S Only, for 2018-2020 Ram Classic 1500, 2019-2020 Ram 1500, 2021-2022, Ram 2500/3500, 2018-2022 Dodge Charger and 2018-2022 Dodge Durango
<b>C399RK4</b>	2020 Ford Interceptor Utility Gateway Installation Kit for C399R and C399S Only, for Use WITHOUT Ford 61B Factory Option
<b>C399RK5</b>	2020-2021 Ford Expedition, 2020-2022 F-250/F-350/F-450/F550/F-600 Super Duty and 2020-2021 Transit Gateway Installation Kit for C399R and C399S Only
<b>C399RK6</b>	2021-2022 Chevy Tahoe and 2021-2022 Suburban Installation Kit, for C399R and C399S Only
<b>C399RK7</b>	2021 Ford F-150, 2022, Ford F-150 Lightning, 2020-2022 Ford Interceptor Utility, 2022 Ford Escape, 2022 Ford Expedition and 2021-2022 Ford Mustang Mach-E Installation Kit for C399R and C399S Only
<b>C399RK8</b>	2021-2022 Tesla Model Y Installation Kit for C399R and C399S Only
<b>C399RK9</b>	2022 Chevy Silverado PPV/LTD, 2022 Chevy Colorado Installation Kit for C399R and C399S Only

\*Core-S utilizes the Core-R OBD2 Cable. Please make sure that you use the C399RK\* when specifying Core-S. The C399K\* will not work as it uses a different connector.

## SYSTEM EXPANSIONS

<b>CEM8</b>	8 Output, 4 Input WeCanX® Expansion Module
<b>CEM16</b>	16 Output, 4 Input WeCanX Expansion Module
<b>CEM4HC</b>	WeCanX High Current Remote Expansion Module, 4-15 Amp Output
<b>CTA</b>	WeCanX Traffic Advisor™ Remote Module, Traffic Advisor Purchased Separately
<b>CEXAMP</b>	WeCanX External Amplifier
<b>CV2V</b>	Vehicle-to-Vehicle Sync Module, Includes Internal Antenna



# 295 Series Electronic Sirens

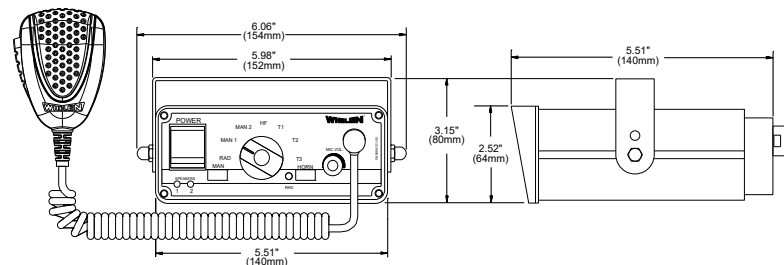


## FEATURES

- Meets or exceeds all applicable SAE requirements when used with various Whelen speakers
- Handheld control head models
- Combination On/Off and horn ring transfer switch
- Siren functions are backlit for improved visibility
- Solid-state over/under voltage shut-down and output short circuit protection
- Input polarity protection
- Recess or bail bracket for under dash mounting
- Adjustable bail bracket allows mounting in a variety of positions
- Locking quick disconnect plug
- 295SL models available in 24 Volt, contact factory

Models	Siren	Control	Switches	Current	Siren Tones
295SDA1	Full Function Programmable Remote Amplifier and Control Head With Lights and Siren Control	2 Separate Siren Amplifiers in One Housing, Supports 100 or 200-Watt Speakers	3-Position Slide Switch, 8 Programmable Push-Buttons, Radio Repeat Button and 6 Siren Control Push-Buttons	3-20 Amp Outputs and 8-10 Amp Outputs	20 Scan-Lock™ Includes Radio Repeat and PA
295SSA1		1 Siren Amplifier, Supports 100-Watt Speakers	3-Position Slide Switch, 8 Programmable Push-Buttons, Radio Repeat Button and 6 Siren Control Push-Buttons		
295SDA2	Dual Tone Handheld Control Head	Supports Two 100-Watt Speakers	Handheld Microphone With 12 Programmable Push-Buttons with 3-Position Progressive Push-Button Switches and 9 Push-Buttons		
295SSA2	Single Tone Handheld Control Head	Supports 100-Watt Speaker			
295SLSA1	Self-Contained	Selectable 100 or 200-Watt Speakers	7-Position Tone Rotary Knob with Volume Control Knob	-	17 Scan-Lock
295SLSA6	Single Self-Contained Unit With Lights and Siren Control	9 Individually Programmable Switches, Supports 100 or 200-Watt Speakers	7-Position Tone Rotary Knob with Volume Control Knob, 4-Position Slide Switch For 3 Primary Warning and 5 Push-Button Switches for Secondary Warning Plus 1 Momentary Switch, Manual Tone and Horn Button	High Current	17 Scan-Lock Includes Radio Repeat and PA
295SL100	Economical Self-Contained Unit	Supports 100 or 200-Watt Speakers	7-Position Tone Rotary Knob with Manual Tone Button	Low Current	17 Scan-Lock Includes Radio Repeat and PA
295SL101			7-Position Tone Rotary Knob with Manual Tone Button and Volume Control Knob		

## DIMENSIONS



# Alpha™ and Beta™ Siren Amplifiers



## FEATURES

- Alpha Series sirens let you cycle through two or three siren tones using horn or auxiliary control. For use in applications not requiring radio repeat or PA
- Beta Series 100-watt siren with public address features radio repeat and hands-free operation
- 24 Volt models available, contact factory

Models	Series	Siren Type	Watts	Switches	Hands Free	Siren Tones	Microphone	Mount	Size
ALPHA12S	Alpha	Self-Contained	100-Watt	Power On/Off, 3-Position Rocker Switch and Airhorn Button		5 Scan-Lock™	No	Bail Bracket	2.5" (64mm) H x 6" (152mm) W x 4.63" (117mm) D
ALPHASL		Remote	100 Or 200-Watt	Requires Separate Switches		15 Scan-Lock		Base Mount Flange	2.25" (54mm) H x 5" (127mm) W x 4.75" (120mm) D
BETA112R	Beta	Remote Amplifier Only	200-Watt	7-Position Tone Rotary Knob, Volume Control Knob, Lights/Siren Toggle Switch and Manual/Airhorn Toggle Switch	Yes	16 Scan-Lock	Yes	Surface or Recess	2.31" (59mm) H x 5.69" (144mm) W x 5.25" (134mm) D
BETA2		Control Head Only Requires Beta112R (Purchased Separately)	100-Watt			5 Includes Radio Repeat and PA			1.75" (44mm) H x 4.25" (108mm) W x 2" (64mm) D

## OPTIONS

Models	Series	Description
ALPHA1	Alpha Series Switches	Single Rocker On/Off Switch for Use with Hands-Free Operation
ALPHA2		Single On/Off Hands-Free Activation Plus Momentary for Airhorn
ALPHA3		Tone 1/Off/Tone 2 Switch Operation Plus Momentary Switch for Airhorn
ALPHA4		Three Switch Operation, One On/Off, One Tone 1/Hands-Free/Tone 2 Plus Momentary for Airhorn
ALPHA5		Three Position Toggle Switch, Controls 3 Siren Tones and Other Warning Lights or Device
BETA2BKT	Beta Series	Flange Mounting Bracket For Beta2
BETAMIC		Remote Microphone For Beta112R (Requires Customer Supplied Switches)



# Howler™ Series



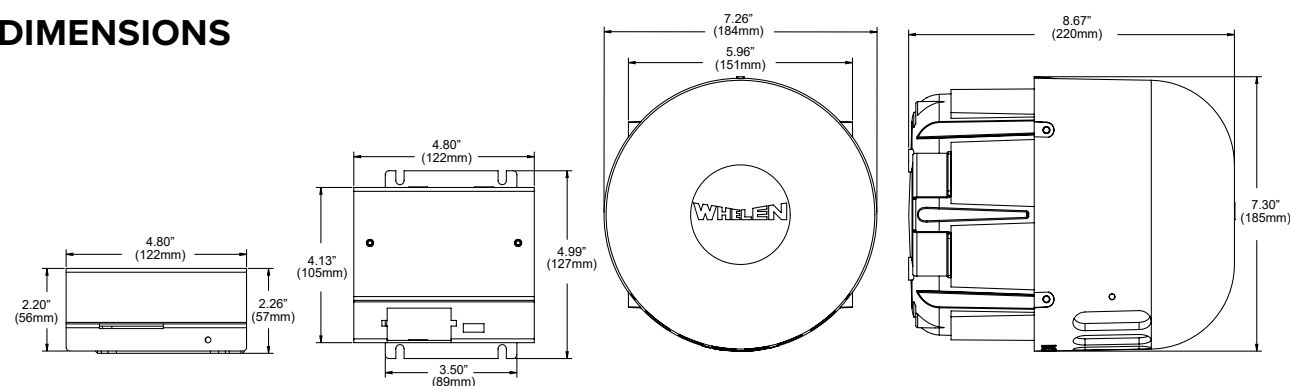
## FEATURES

- WeCanX® model available
- Howler system is an add-on to any 100/200 watt existing warning system
- Low frequency reverberating tones are able to penetrate high noise, traffic situations, and vehicles
- Includes siren amplifier, one or two speakers, and mounting bracket(s) on select models
- Works with most siren amplifiers
- Eight selectable tone durations

Models	Series	Speakers	Output	VDC	Mounting
HWLUNI	Howler	1	100-Watt	12	Universal Mounting Bracket
HWLD15					2015-2023 Dodge Charger
HWLF29					2020-2022 Ford Police Interceptor Utility
HOWLER	Howler and WeCanX Howler	2	200-Watt	12	Optional Vehicle Specific Mounting Bracket Available
CHOWLER					Optional Vehicle Specific Mounting Bracket Available
CHWLUNI		1	100-Watt	12	Universal Mounting Bracket
CHWLD15					2015-2023 Dodge Charger
CHWLF29					2020-2022 Ford Police Interceptor Utility
HSB15					2015-2023 Dodge Charger
HSB4					2008-2020 Ford E-Series
HSB31					2019-2021 RAM 1500, Includes Built-In Mounting for SA315 Speaker (Not for use on Vehicles Equipped with Active Air Dam)
HSB28					2019-2022 Chevy Silverado 1500 SSV
HSB22					2011-2023 Ford F-250/F-350, 2017-2023 F450/F550, 2018-2023 F600
HSB23					Universal Mounting Bracket
HSB27					2018-2021 Ford Expedition SSV, Includes Built-In Mounting for SA315P/SA315U Speaker
HSB29					2020-2022 Ford Police Interceptor Utility
HSB30					2019-2020 Ram 4500/5500
HSB32					2021-2023 Chevy Tahoe
HSB33					2021-2022 Tesla Model Y
HSB34					2021-2022 Ford Mustang Mach-E
HSB35	2021-2023 Ford F-150, 2017-2023 Ford F-250/350/450/550, 2018-2023 Ford Expedition				

Consult current price list for full list of available options at [whelen.com/literature](http://whelen.com/literature)

## DIMENSIONS



# Siren Speakers



## FEATURES

- Meets or exceeds all applicable SAE requirements when used with various Whelen amplifiers
- SA315P Series high performance multi-port Projector™ Series speaker for bumper, concealed, or flange mount
- Installs to vehicle's cross member in minutes



SA315P

Models	Description
SA315P	Projector™ Series Nylon Composite, Multi-Port Speaker
SA315U	Projector Series Nylon Composite

## OPTIONS

Models	Mount Bracket Description
SAK25	Chevy Express Van, 2006-2021
SAK70	Chevy Silverado 1500, 2019-2022 Driver or Passenger Side
SAK63D	Chevy Tahoe, 2017-2020, Driver Side
SAK63P	Chevy Tahoe, 2017-2020, Passenger Side
SAK70	Chevy Tahoe, 2021-2023 & Chevy Suburban, 2021-2022, Driver or Passenger Side
SAK37	Dodge Charger, 2011-2023
SAK54CM	Dodge Durango, 2015-2023, Center Mount, for One or Two Speakers (Replaces SAK54)
SAK32	Ford E350/E450, 2008-2023, Driver or Passenger Side
SAK64D	Ford Expedition SSV, 2018-2021, Driver Side, (Not Required if Purchasing HWLRB27)
SAK64P	Ford Expedition SSV, 2018-2021, Passenger Side, (Not Required if Purchasing HWLRB27)
SAK73	Ford F-150 PPV, 2021-2023, Ford Expedition, 2022, Center Mount, for One or Two Speakers
SAK61P	Ford F-250/F-350, 2017-2023, F-450/F-550, 2017-2023, F600, 2018-2023 Passenger Side, Not for Use with Factory Fog Lights
SAK61D	Ford F-250/F-350, 2017-2023, F-450/F-550, 2017-2023, F600, 2018-2023 Driver Side, Not for Use with Factory Fog Lights
SAK72D	Ford Mach-E, 2021-2022, Driver Side
SAK72P	Ford Mach-E, 2021-2022, Passenger Side
SAK67D	Ford Police Interceptor Utility, 2020-2022, Driver Side Frame Mount, Behind the Bumper
SAK66D	Ford Police Interceptor Utility, 2020-2022, Driver Side Grille
SAK66P	Ford Police Interceptor Utility, 2020-2022, Passenger Side Grille
SAK1	Heavy-Duty Universal "L" Mounting Bracket
SAK9	Heavy-Duty Universal/Swivel Bail Type Mounting Bracket
SAK48	Ram 1500, 2012-2018 & Ram 1500 Classic, 2019-2021, Driver Side
SAK47	Ram 1500, 2012-2018 & Ram 1500 Classic, 2019-2021, Passenger Side
SAK69D	Ram 1500, 2019-2021, Driver Side (Not for use on Vehicles Equipped with Active Air Dam)
SAK69P	Ram 1500, 2019-2021, Passenger Side (Not for use on Vehicles Equipped with Active Air Dam)
SAK71	Tesla Model Y, 2021-2022, Driver or Passenger Side, Consider Using Two Speakers

Consult current price list for full list of available options at [whelen.com/literature](http://whelen.com/literature)



# Power Control Centers & Switches



PCCS9RW



WCC9

## FEATURES

- Combination 30-watt siren and speaker in a single unit
- Four modes of operation
- 10 Scan-Lock™ siren tones
- Hands-free operation for Wail and Yelp tones
- Airhorn switch produces airhorn as a main tone and an override tone

- Two way “L” mounting bracket
- Black plastic housing and water-resistant connectors provide vibration and moisture resistance
- Requires customer supplied switches

Models	Description	Switches	Output	LED “On” Indicator	VDC	Size
PCCS9RW	High Current 9-Position Programmable Switch Box	6 Push-Button and One 4-Position Dip	Nine 20 Amp Outputs 80 Amp Total Max	Yes	12	1.63” (40mm) H x 6” (152mm) W x 6.25” (159) D
PCCS9LW	Economical Control Center for Use With Freedom® IV, & Liberty™ II Lightbars	Switch Programmable Slide Switch	Nine 250mA Max Per Output			1.63” (40mm) H x 6” (152mm) W x 4” (102mm) D
WCC9	Electronic Control for Freedom and Justice® WeCan® Lightbars	6 Push-Buttons and One 4-Position Dip	Serial Control to Lightbar			2.50” (64mm) H x 4.19” (106mm) W x 0.88” (22mm) D
WCC92	Electronic Control for Liberty II, Legacy®, Freedom IV, Cenator® and WeCan Lightbars	Switch Programmable Slide Switch for 10 Primary Functions				

## OPTIONS

Models	Description	Usage	Switches	Switch Type	Illuminated
1SWITCH	“L” Shaped Aluminum Switch Bracket Only, Choose Switches From Choices Below	For 1 Switch	Optional	-	No
2SWITCH		For 2 Switches			
3SWITCH		For 3 Switches			
4SWITCH		For 4 Switches			
PC1	Switch only	On/Off	1 Each	SPST	Yes
PC2		Momentary On		SPDT	No
PC3		On/Off/On		SPDT	Yes
PC1SW	PC-1 Switch, 15 Amp Contacts	Switch Brackets	1	SPDT	Yes
PC2SW	PC-2 Switch, 15 Amp Contacts	Momentary On	2	SPDT	No
PC3SW	PC-3 Switch, 15 Amp Contacts	Switch Brackets	3	SPDT	Yes

# Headlight/Grille, Taillight Flashers



UFM8



ULF44



SLFLASH

## FEATURES

- Solid-state controlled relay output
- Molded polycarbonate housing
- Fully encapsulated for moisture, vibration, and corrosion resistance
- SmartLogic™ programmable flasher

- Software is configurable via USB port
- Outputs are internally protected and fused
- LED onboard diagnostic indicators
- Day and night mode truck setups
- Refer to price list for full list of models

Models	Usage	Switching	Construction	Outlets	Outlet Switching	VDC	Flash Patterns	Size	Warranty
SSFPOS	Headlight/Grille Light	Positive	100% Solid-State	2	1x1	12	7 Scan-Lock™	0.88” (22mm) H x 2” (50mm) W x 2.75” (70mm) D	2-Year
UHF2150A		Positive or Negative	Relay				4 Scan-Lock	1.5” (38mm) H x 4.25” (108mm) W x 3” (76mm) D	
SSFFP16	Headlight	Positive	100% Solid-State	8	Programmable		8 Scan-Lock	0.875” (22mm) H x 2” (50mm) W x 2.75” (70mm) D	
SLFLASH	Auxiliary LED Lighthead	-					64 Scan-Lock	3.38” (86mm) H x 6.38” (162mm) W x 3.38” (86mm) D	
UFM8	Halogen/LED Flasher	-	Controlled Relay Output	4	2x2x2	17 Scan-Lock	1.75”(44mm) H x 5.85 (149mm) W x 6.70” (170mm) D	2-Year	
ULF44	LED Flasher	-				62 Scan-Lock	1.63” (41mm) H x 2.0” (51mm) W x 2.75” (70mm) D	5-Year	



# Lighting Certifications

**KKK 1822-F** - Federal Ambulance Specification

**CAC, Title 13, Article 22** (Red, Blue and Amber Lightheads)

## Warning Lamps and Devices:

**SAE J595** - Directional Flashing Optical Warning Devices for Authorized Emergency, Maintenance, and Service Vehicles (Aug 21)

**SAE J845** - Optical Warning Devices for Authorized Emergency, Maintenance, and Service Vehicles (Aug 21)

## Test Procedures and Materials:

**SAE J575** - Test Methods and Equipment for Lighting Devices for Use on Vehicles Less than 203 cm in Overall Width (Apr 21)

**SAE J578** - Chromaticity Requirements for Ground Vehicle Lamps and Lighting Equipment (Apr 20)

**SAE J2139** - Tests for Signal and Marking Devices Used on Vehicles 203 cm or More in Overall Width (Dec 14)

## Signaling and Marking Lighting Devices and Systems:

**FMVSS108** - Federal Motor Vehicle Safety Standards

**NFPA 1901** - (2009 Edition) For NFPA Application Consult Current NFPA Specification Lighting Packages Catalog

**SAE J585** - Tail Lamps (Rear Position Lamps) for Use on Motor Vehicles Less than 203 cm in Overall Width (Jun 14)

**SAE J586** - Stop Lamps for Use on Motor Vehicles Less than 203 cm in Overall Width (May 16)

**SAE J588** - Turn Signal Lamps for Use on Motor Vehicles Less than 203 cm in Overall Width (Mar 21)

**SAE J592** - Sidemarker Lamps for Use on Road Vehicles Less than 203 cm in Overall Width (Sep 16)

**SAE J593** - Backup Lamp (Reversing Lamp) (Oct 6)

**SAE J914** - Side Turn Signal Lamps for Vehicles Less than 12 m in Length (Aug 14)

**SAE J1432** - Rear High Mounted Stop Lamps and Rear High Mounted Turn Signal Lamps for Use on Vehicles 203 cm or More in Overall Width (Jan 16)

**SAE J1889** - LED Signal and Marking Lighting Devices (Jul 19)

**SAE J1957** - Center High Mounted Stop Lamp Standard for Vehicles Less than 203 cm Overall Width (Jun 11)

**SAE J2039** - Side Turn Signal Lamp for Long Vehicles (Aug 11)

**SAE J2040** - Tail Lamps (Rear Position Lamps) for Use on Vehicles 203 cm or More in Overall Width (Jan 16)

**SAE J2042** - Clearance, Sidemarker, and Identification Lamps for On-Road Vehicles 203 cm or More in Overall Width (May 18)

**SAE J2261** - Stop Lamps and Front- and Rear-Turn Signal Lamps for Use on Motor Vehicles 203 cm or More in Overall Width (July 16)

# Product Index

0	0S™ Series Lightheads	30	E	Edge® 9X Series	12	O	Outer Edge® Series	15
2	295 Series Electronic Sirens	48	F	Flashers	53	P	PAR-46 Handheld	38
3	3" Round Lightheads	33		FlatLighter™ Series	21		PAR-46 Rubber Housing	38
	3.5" Round Lightheads	34		Freedom® IV DUO™ & DYAD™	7		PAR Replacement Lamps	39
4	4" Round Lightheads	33	H	Howler™ Series	50		Pioneer Micro™	41
	4" Round Extended Lens	34					Pioneer Nano™	40
A	Alpha™	49					Pioneer SlimLine™	42
	Arges® Remote Spotlight	36	I	Inner Edge® FST™ Series	14	S	Power Control Centers & Switches	52
	Avenger® II Series Lights	20		Inner Edge RST™ Series	14		SA315P Speaker	51
B	Beta™	49		Inner Edge XLP Series	15		SpitFire ION™ Series	21
C	CenCom Core®	44		ION™ Series Lightheads	26	T		
	Core-C™	44		ION V-Series™ Lightheads	28		Tracer™ WeCanX®	17
	Core-R™	44	L	ION Mini T-Series™ Lightheads	27	V		
	Core-S™	44		ION T-Series Lightheads	27		Vertex™ Series Lightheads	24
D	Dominator™ & Dominator Plus™	18					V23™ Series Lightheads	30
				Legacy® Series Lightbars	10	W		
				Liberty™ II Series Lightbars	8		WeCanX® 2250	16
				LINV2™ V-Series Lightheads	29		WeCanX Control Heads	45
			M					
				M2 & M4 Lightheads	31			
				Micron™ Series Lightheads	25			
				Mirror-Beam™ Series	32			



# LAW ENFORCEMENT

PROFESSIONAL WARNING AND LIGHTING

A comprehensive guide to Whelen's lighting and warning products

Distributed by:

**WHELEN**<sup>®</sup>  
MANUFACTURED IN AMERICA

@WhelenENG



**NASCAR**<sup>™</sup>  
OFFICIAL WARNING LIGHTS

Preferred Warning Lights of 

Whelen Engineering Company  
(860) 526-9504  
www.whelen.com

Whelen Engineering reserves  
the right to upgrade and im-  
prove products without notice.

© 2023 Whelen Engineering Compa-  
ny, Inc. Printed in U.S.A.  
Code No. C12957M- 05/23

All products proudly designed, manufac-  
tured, and assembled in the U.S.A.  
• ISO 9001 Registered QMS